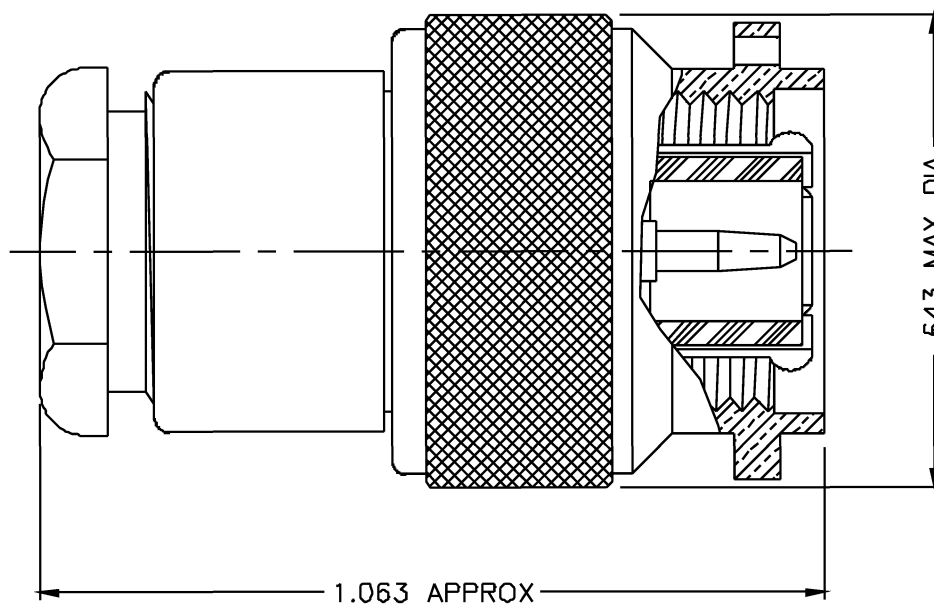
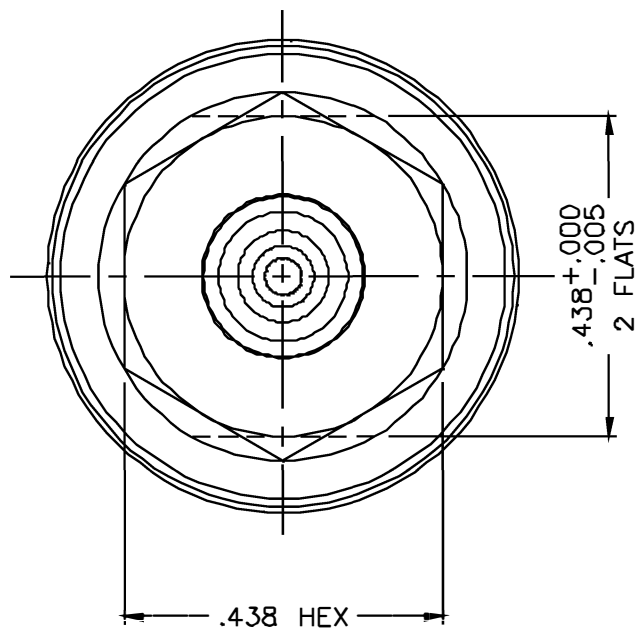




1201-015-A00E



NOTES:

1. ASSEMBLED CONNECTOR INTERFACE IS DESIGNED IN ACCORDANCE WITH MIL-STD-348.
2. MATERIAL: GASKETS - SILICONE RUBBER PER ZZ-R-765
INSULATORS - TEFLON PER ASTM D1710
LOCKWASHER - PHOSPHOR BRONZE PER QQ-B-750
ALL OTHER METAL PARTS - BRASS PER ASTM B16.
3. FINISHES: LOCKING RING - NOT PLATED
CONTACT - GOLD PLATE PER MIL-G-45204
ALL OTHER METAL PARTS - SILVER PLATE PER QQ-5-365

M39012/26-0101

UNLESS OTHERWISE SPECIFIED: TOLERANCES: 3 PLACES = ±.005, 2 PLACES = ±.02, ANGLES = ±1/2°

ALT.	REVISIONS	DATE
-	OUTLINE	3/10/99

DELTA ELECTRONICS MFG. CORP. Beverly, MA 01915				
TITLE: "TNC" CAPTIVE CONTACT PLUG FOR RG-55B, 58C, 141A, 142B & 223/U CABLE				
Drawn by BJM	Scale 4/1	Clk. by	Engr Appd	FILE NAME: 1201015A00E-000T
3/10/99				

THESE DRAWINGS AND SPECIFICATIONS ARE THE PROPERTY OF DELTA ELECTRONICS MFG CORP. AND SHALL NOT BE REPRODUCED, OR COPIED OR USED AS THE BASIS FOR THE MANUFACTURE OR SALE OF APPARATUS OR DEVICES WITHOUT THEIR EXPRESS WRITTEN CONSENT.

CODE IDENT.-00795

1201-015-A00E