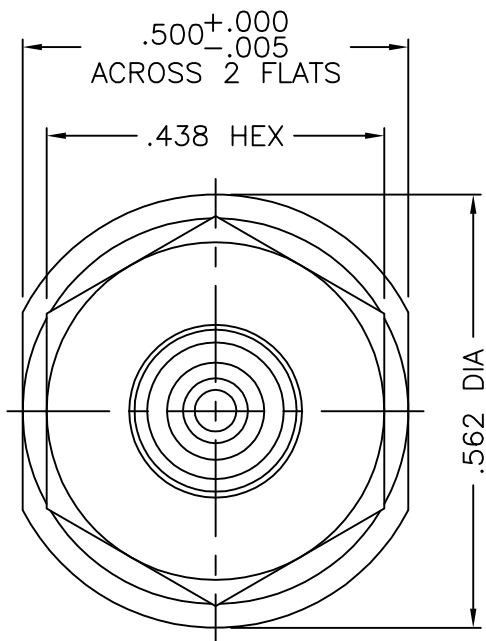
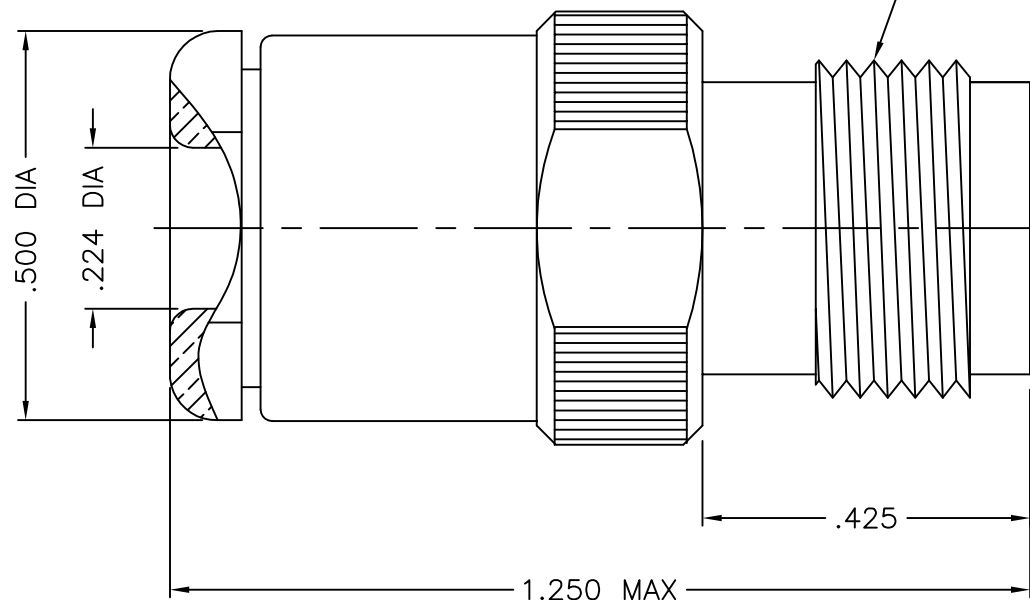




1208015A00E-000



7/16-28 UNEF-2A TH'D



NOTES:

1. ASSEMBLED CONNECTOR INTERFACE IS DESIGNED IN ACCORDANCE WITH MIL-STD-348.
2. MATERIAL: BODY - BRASS PER ASTM B16
CONTACT - BERYLLIUM COPPER PER ASTM B196.
INSULATOR - TEFLON PER ASTM D1710
GASKET - SILICONE RUBBER PER ZZ-R-765
ALL OTHER METAL PARTS - BRASS PER ASTM B16
3. FINISHES: CONTACT - GOLD PLATE PER MIL-G-45204
ALL OTHER METAL PARTS - SILVER PLATE PER QQ-S-365

M39012/27-0101

DELTA ELECTRONICS MFG. CORP. Beverly, MA 01915

TITLE: 'TNC' CLAMP JACK FOR RG-55B, 58C,
141A, 142B & 223/U CABLES

UNLESS OTHERWISE SPECIFIED: TOLERANCES: 3 PLACES = ±.005, 2 PLACES = ±.02, ANGLES = ±1/2°, SURFACE FINISH = 63

-	OUTLINE	5/7/13
ALT.	REVISIONS	DATE

Drawn by ADK 5/7/2013	Scale 4/1	Ckd. by	Engr Appd	FILE NAME: 1208015A00E-000T
-----------------------------	--------------	---------	-----------	--------------------------------

THESE DRAWINGS AND SPECIFICATIONS ARE THE PROPERTY OF DELTA ELECTRONICS MFG CORP. AND SHALL NOT BE REPRODUCED, OR COPIED OR USED AS THE BASIS FOR THE MANUFACTURE OR SALE OF APPARATUS OR DEVICES WITHOUT THEIR EXPRESS WRITTEN CONSENT.

CODE IDENT.-00795

1208015A00E-000