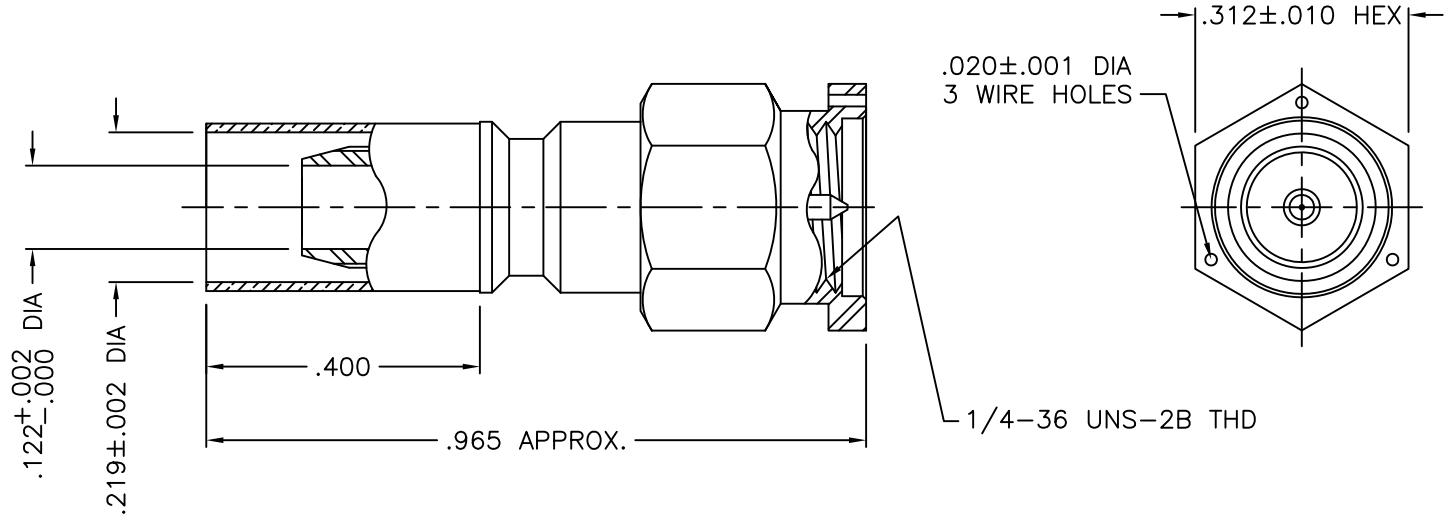




1303013K00E-000



**NOTES:**

1. ASSEMBLED CONNECTOR INTERFACE IS DESIGNED IN ACCORDANCE WITH MIL-STD-348.
2. MATERIAL: BODY & HEX COUPLING NUT- CORROSION RESISTANT STEEL PER ASTM A582  
CONTACT - BERYLLIUM COPPER PER ASTM B196.  
INSULATOR - TEFLON PER ASTM D4894  
GASKET - SILICONE RUBBER PER A-A-59588
3. FINISHES: CONTACT - GOLD PLATE PER ASTM B488  
CRIMP SLEEVE - SULFAMATE NICKEL PER MIL-P-27418  
COUPLING NUT & BODY - PASSIVATE PER AMS-QQ-P-35
4. DESIGNED IN ACCORDANCE WITH M39012/55

M39012/55-3028

DELTA ELECTRONICS MFG. CORP. Beverly, MA 01915			
TITLE: 'SMA' CRIMP PLUG FOR RG-55, 142, 223, & 400/U CABLES - CAPTIVE CONTACT			
Drawn by Simon 2/28/11	Scale 4/1	Ckd. by MR	Engr Appd MR
FILE NAME: 1303013K00E-000T			

UNLESS OTHERWISE SPECIFIED: TOLERANCES: 3 PLACES = ±.005, 2 PLACES = ±.02, ANGLES = ±1/2°, SURFACE FINISH = 63

-	OUTLINE	2/28/11
ALT.	REVISIONS	DATE

THESE DRAWINGS AND SPECIFICATIONS ARE THE PROPERTY OF DELTA ELECTRONICS MFG CORP. AND SHALL NOT BE REPRODUCED, OR COPIED OR USED AS THE BASIS FOR THE MANUFACTURE OR SALE OF APPARATUS OR DEVICES WITHOUT THEIR EXPRESS WRITTEN CONSENT.

CODE IDENT.-00795

1303013K00E-000