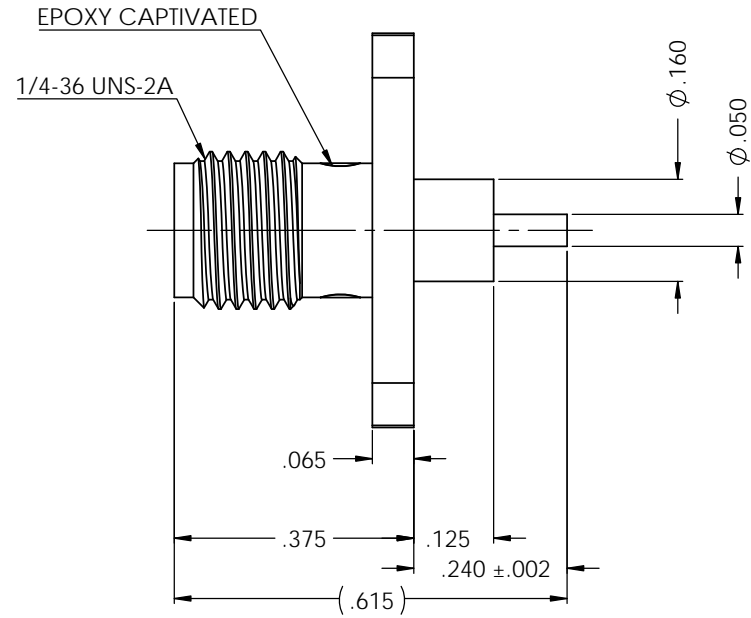
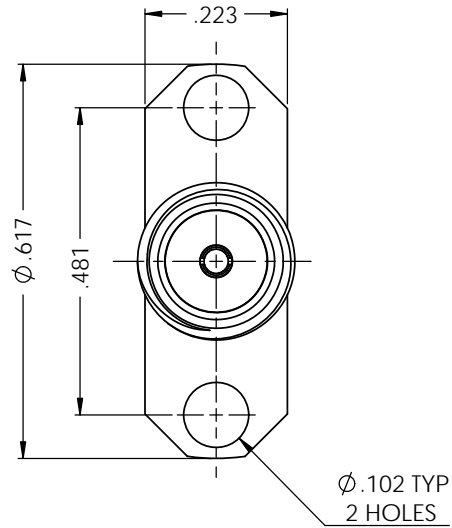
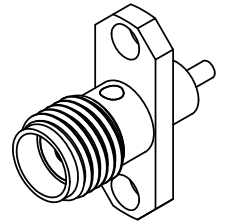




1358000G921-248



NOTES:

- ASSEMBLED CONNECTOR INTERFACE IS DESIGNED IN ACCORDANCE WITH MIL-STD-348.

DESCRIPTION	MATERIAL	FINISH
CONTACT	BERYLLIUM COPPER PER ASTM B196, C17300, TEMPER TD04	GOLD PLATE PER ASTM B488
EPOXY	Epoxy, Sigma Varyflex	N/A
INSULATOR	TEFLON PER ASTM D1710, TYPE 1, GRADE 1, CLASS A.	N/A
BODY	CORROSION RESISTANT STEEL PER ASTM 582, S30300, COND. A	GOLD PLATE PER ASTM B488

Table 1

**PROPRIETARY AND CONFIDENTIAL**  
 THE INFORMATION CONTAINED IN THIS DRAWING IS THE SOLE PROPERTY OF DELTA ELECTRONICS MFG CORP. ANY REPRODUCTION IN PART OR AS A WHOLE WITHOUT THE WRITTEN PERMISSION OF DELTA ELECTRONICS MFG CORP. IS PROHIBITED.  
 FILE NAME: 1358000G921-2481

UNLESS OTHERWISE SPECIFIED:		NAME	DATE	<b>DELTA ELECTRONICS MFG CORP.</b> <b>BEVERLY, MA 01915</b> <a href="http://www.deltarf.com">www.deltarf.com</a> / Ph: 978-927-1060 / Fax: 978-922-6430	
DIMENSIONS ARE IN INCHES		DRAWN	SRC		7/20/2016
TOLERANCES -		CHECKED	BJM		7/20/2016
FRACTIONAL ± 1/64 ANGULAR: MACH ± 1° BEND ± 1° TWO PLACE DECIMAL ± .01 THREE PLACE DECIMAL ± .005 SURFACE FINISH = 63 MAX. CORNER BREAKS = .004		ENG APPR.	BJM		7/20/2016
THIRD ANGLE PROJECTION		COMMENTS:		TITLE:	
MATERIAL		SEE TABLE		<b>SMA</b> <b>RECEPTACLE JACK</b> <b>WITH CAPTIVATED POST CONTACT</b>	
FINISH		SEE TABLE			SIZE
SCALE: 5:1					DWG. NO.
				REV	
				CODE ID - 00795	
				WEIGHT: 1.79 g	
				SHEET 1 OF 1	

SIZE	DWG. NO.	REV
<b>B</b>	1358000G921-248	-
CODE ID - 00795	WEIGHT: 1.79 g	SHEET 1 OF 1