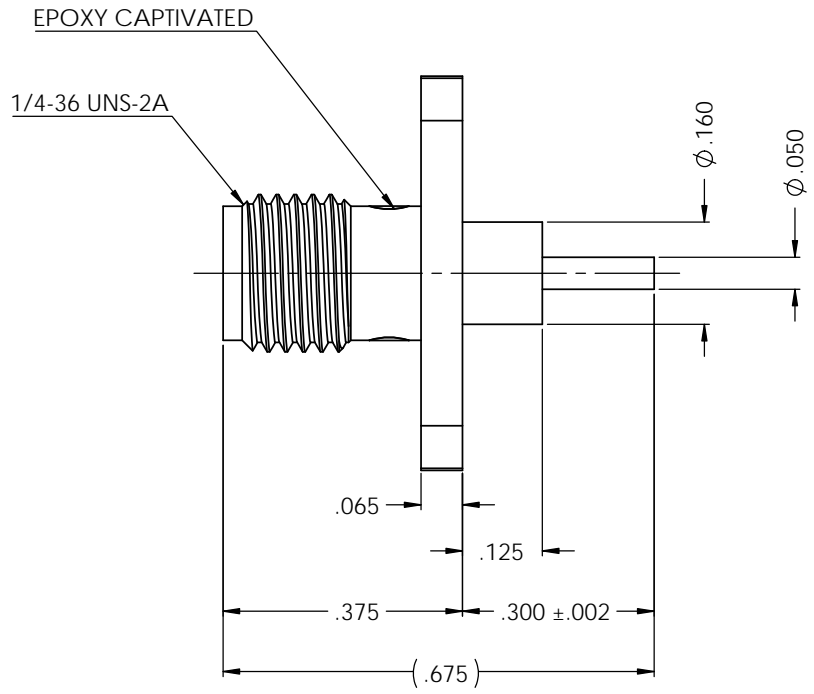
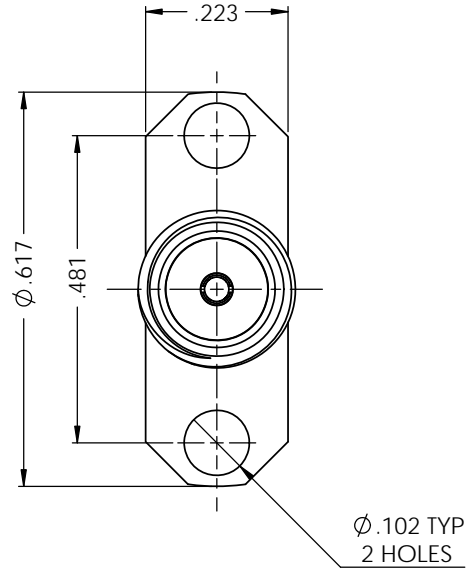
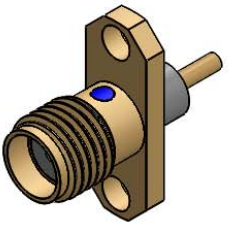


1358000G911-249



NOTES:
 1. ASSEMBLED CONNECTOR INTERFACE IS DESIGNED IN ACCORDANCE WITH MIL-STD-348.

DESCRIPTION	MATERIAL	FINISH
CONTACT	BERYLLIUM COPPER PER ASTM B196, C17300, TEMPER TD04	GOLD PLATE PER ASTM B488
EPOXY	Epoxy, Sigma Varyflex	N/A
INSULATOR	TEFLON PER ASTM D1710, TYPE 1, GRADE 1, CLASS A.	N/A
BODY	CORROSION RESISTANT STEEL PER ASTM 582, S30300, COND. A	GOLD PLATE PER ASTM B488

Table 1

PROPRIETARY AND CONFIDENTIAL
 THE INFORMATION CONTAINED IN THIS DRAWING IS THE SOLE PROPERTY OF DELTA ELECTRONICS MFG CORP. ANY REPRODUCTION IN PART OR AS A WHOLE WITHOUT THE WRITTEN PERMISSION OF DELTA ELECTRONICS MFG CORP. IS PROHIBITED.
 FILE NAME: 1358000G921-2491

UNLESS OTHERWISE SPECIFIED:		NAME	DATE
DIMENSIONS ARE IN INCHES		DRAWN	SRC 7/20/2016
TOLERANCES-		CHECKED	BJM 7/20/2016
FRACTIONAL ± 1/64		ENG APPR.	BJM 7/20/2016
ANGULAR: MACH ± 1° BEND ± 1°		COMMENTS:	
TWO PLACE DECIMAL ± .01			
THREE PLACE DECIMAL ± .005			
SURFACE FINISH = 63			
MAX. CORNER BREAKS = .004			
THIRD ANGLE PROJECTION			
MATERIAL	SEE TABLE		
FINISH	SEE TABLE		
SCALE	SCALE:5:1		

DELTA ELECTRONICS MFG CORP.		
BEVERLY, MA 01915		
www.deltar.com / Ph: 978-927-1060 / Fax: 978-922-6430		
TITLE:		
SMA RECEPTACLE JACK WITH CAPTIVATED POST CONTACT		
SIZE	DWG. NO.	REV
B	1358000G911-249	-
CODE ID - 00795	WEIGHT: 1.81 g	SHEET 1 OF 1