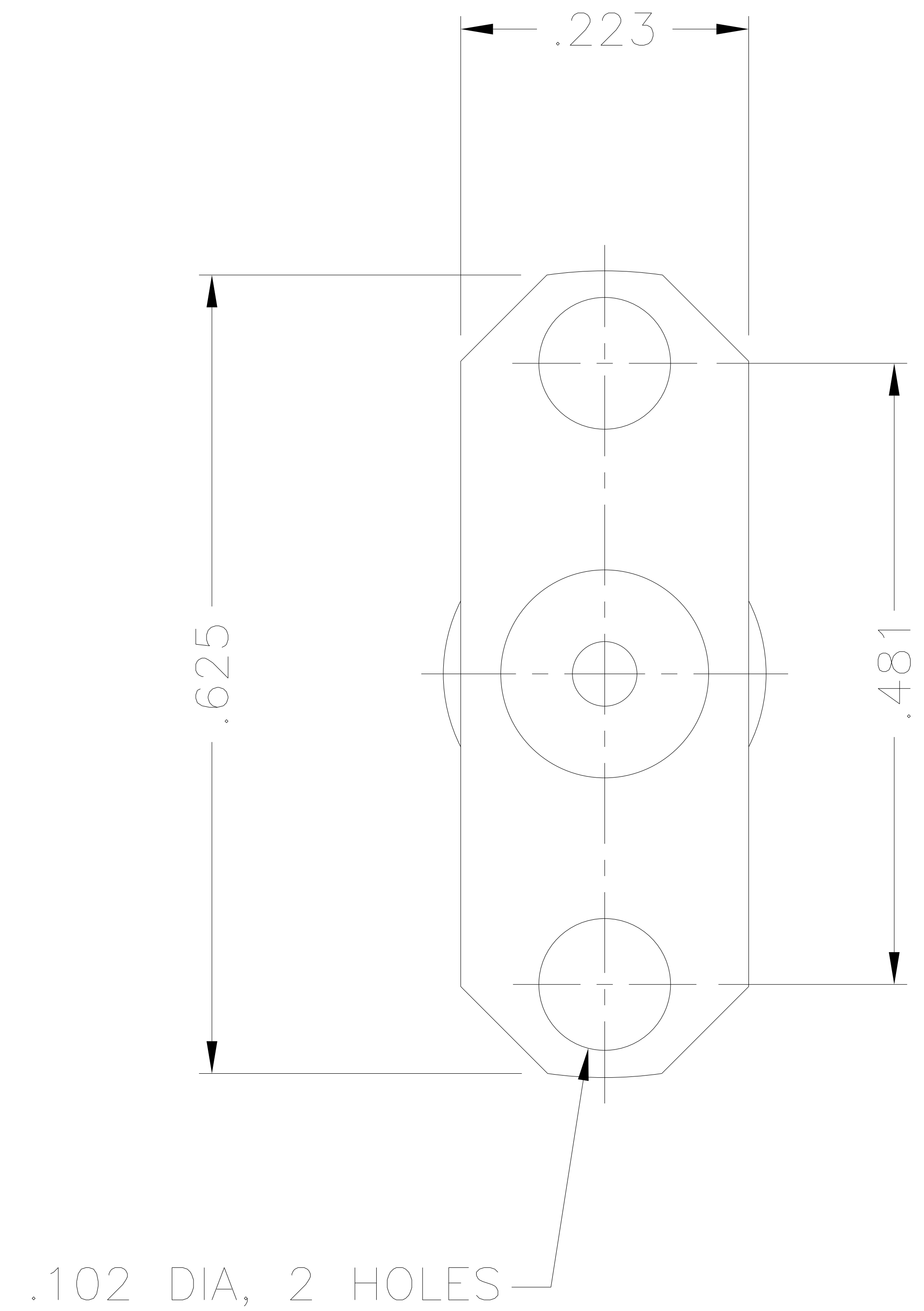
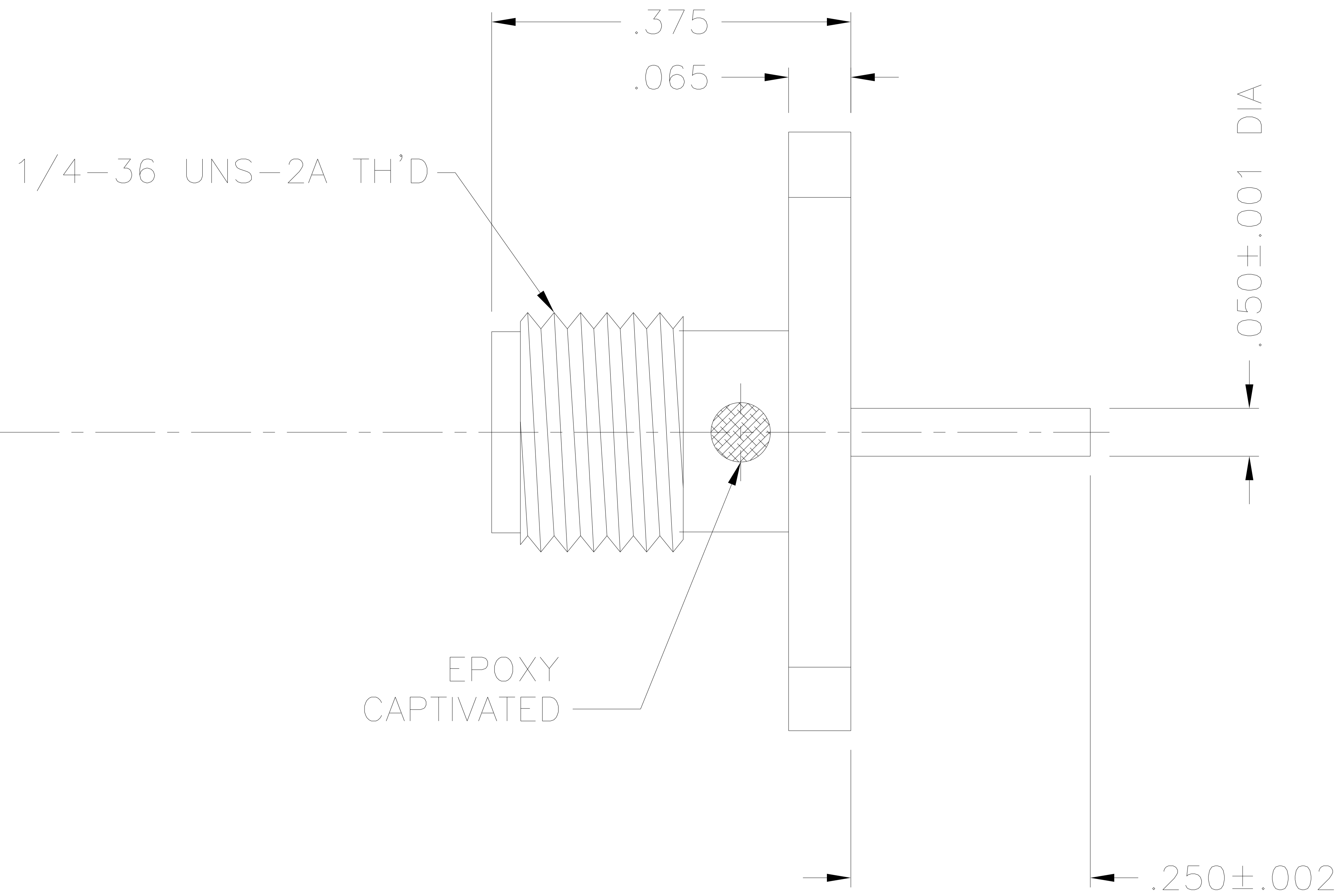




1358000G921-250



NOTES:

1. ASSEMBLED CONNECTOR INTERFACE IS DESIGNED IN ACCORDANCE WITH MIL-STD-348.
2. MATERIAL: BODY - CORROSION RESISTANT STEEL PER ASTM A582
CONTACT - BERYLLIUM COPPER PER ASTM B196
INSULATOR - TEFLON PER ASTM D1710
3. FINISHES: BODY - GOLD PLATE PER MIL-G-45204
CONTACT - GOLD PLATE PER MIL-G-45204

UNLESS OTHERWISE SPECIFIED: TOLERANCES: 3 PLACES = ±.005, 2 PLACES = ±.02, ANGLES = ±1/2°, SURFACE FINISH = 63

ALT.	REVISIONS	DATE
-	OUTLINE	8/9/16

DELTA ELECTRONICS MFG. CORP. Beverly, MA 01915				
TITLE: 'SMA' PANEL-MOUNTED JACK RECEPTACLE WITH EXTENDED POST CONTACT				
Drawn by DVP 8/9/16	Scale 4/1	Ckd. by	Engr Appd	FILE NAME: 1358000G921-250T

THESE DRAWINGS AND SPECIFICATIONS ARE THE PROPERTY OF DELTA ELECTRONICS MFG CORP. AND SHALL NOT BE REPRODUCED, OR COPIED OR USED AS THE BASIS FOR THE MANUFACTURE OR SALE OF APPARATUS OR DEVICES WITHOUT THEIR EXPRESS WRITTEN CONSENT.

CODE IDENT.-00795 1358000G921-250