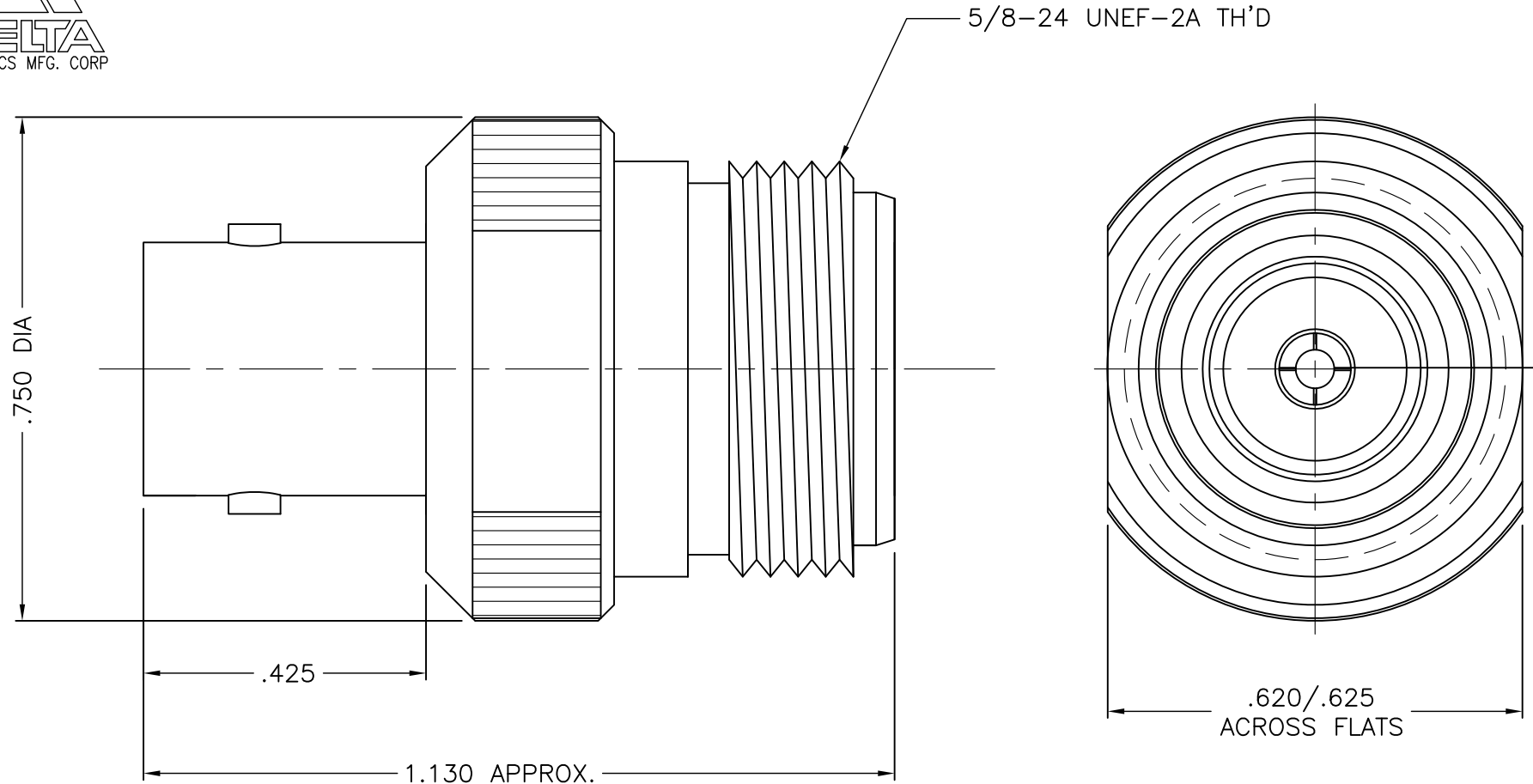




2228-000-A001-11



NOTES:

1. ASSEMBLED CONNECTOR INTERFACE IS DESIGNED IN ACCORDANCE WITH MIL-STD-348.
2. MATERIAL: CONTACT - BERYLLIUM COPPER PER ASTM B196.
INSULATOR - TEFLON PER ASTM D1710
ALL OTHER METAL PARTS - BRASS PER ASTM B16
3. FINISHES: CONTACT - GOLD PLATE PER ASTM B488
ALL OTHER METAL PARTS - SILVER PLATE PER ASTM B700

M55339/01-00001

DELTA ELECTRONICS MFG. CORP. Beverly, MA 01915				
TITLE: ADAPTER, BNC JACK TO N JACK				
Drawn by MR	Scale 4/1	Ckd. by BJM	Engr Appd MR	FILE NAME: 2228000A001-011T
CODE IDENT.-00795		2228-000-A001-11		

UNLESS OTHERWISE SPECIFIED: TOLERANCES: 3 PLACES = ±.005, 2 PLACES = ±.02, ANGLES = ±1/2', SURFACE FINISH = 63

-	OUTLINE	7/10/09
ALT.	REVISIONS	DATE

THESE DRAWINGS AND SPECIFICATIONS ARE THE PROPERTY OF DELTA ELECTRONICS MFG CORP. AND SHALL NOT BE REPRODUCED, OR COPIED OR USED AS THE BASIS FOR THE MANUFACTURE OR SALE OF APPARATUS OR DEVICES WITHOUT THEIR EXPRESS WRITTEN CONSENT.