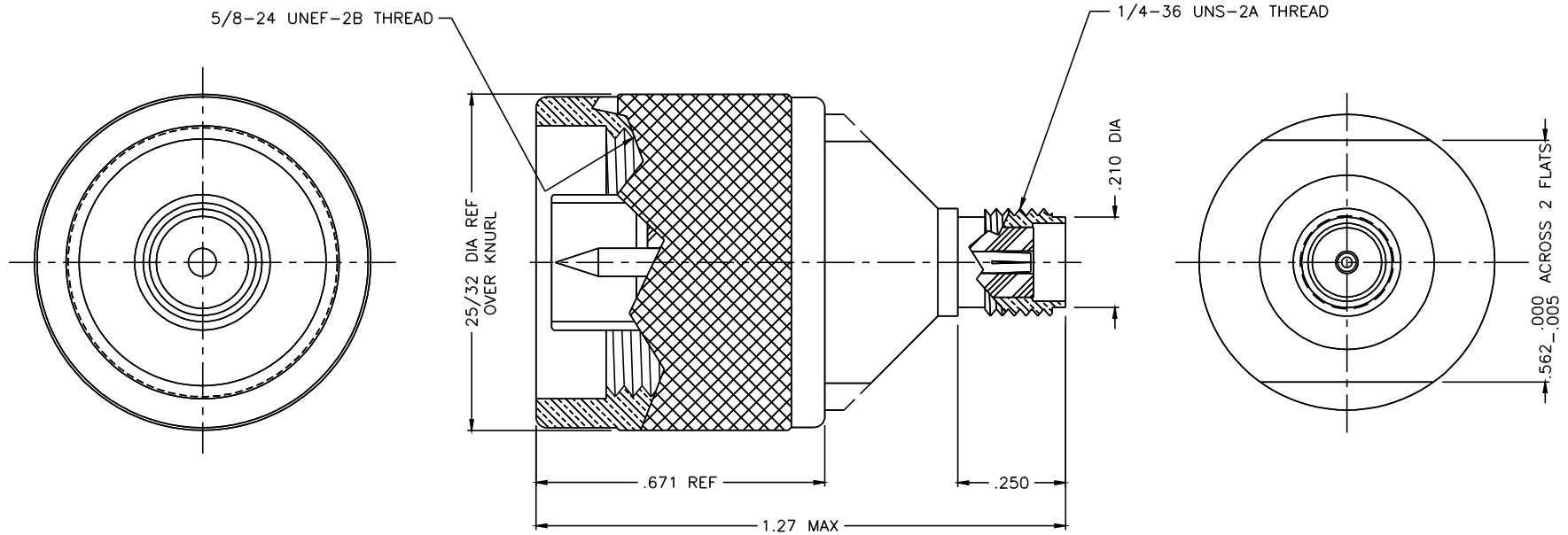




2234-000-K001-107



NOTES:

1. INTERFACE IN ACCORDANCE WITH MIL-STD-348.
2. MATERIAL: BODY - CORROSION RESISTANT STEEL PER ASTM A582
 COUPLING NUT - CORROSION RESISTANT STEEL PER ASTM A582
 CONTACT - BERYLLIUM COPPER PER ASTM B196.
 GASKET - SILICONE RUBBER PER ZZ-R-765
 INSULATOR - TEFLON PER ASTM D1710
 SNAP RING - PHOSPHOR BRONZE PER QQ-B-750
3. FINISHES: CONTACT IS GOLD PLATE PER MIL-G-45204.
 BODY & COUPLING NUT ARE PASSIVATED PER QQ-P-35.

TOLERANCES: UNLESS OTHERWISE SPECIFIED; DECIMALS = ±.005, FRACTIONS = ±1/64, ANGLES = ±1/2°	
A	REVISED nct 06-01-93
AL.T.	OUTLINE 02-05-93
	REVISIONS DATE
THESE DRAWINGS AND SPECIFICATIONS ARE THE PROPERTY OF DELTA ELECTRONICS MFG. CORP. AND SHALL NOT BE REPRODUCED, OR COPIED, OR USED AS THE BASIS FOR THE MANUFACTURE OR SALE OF APPARATUS OR DEVICES WITHOUT THEIR EXPRESS WRITTEN CONSENT.	

FILE NAME: 2234000K001-107T	
-----------------------------	--

DELTA ELECTRONICS MFG. CORP. Beverly, MA 01915				
TITLE: SERIES "N" (M) TO "SMA" (F) STRAIGHT ADAPTER				
MATERIAL: SEE NOTE 2				
FINISH: SEE NOTE 3				
Drawn by nct 06-01-95	Scale 4/1	Ckd. by	Mfg. Appd.	Engr. Appd.
CODE IDENT-00795		2234-000-K001-107		