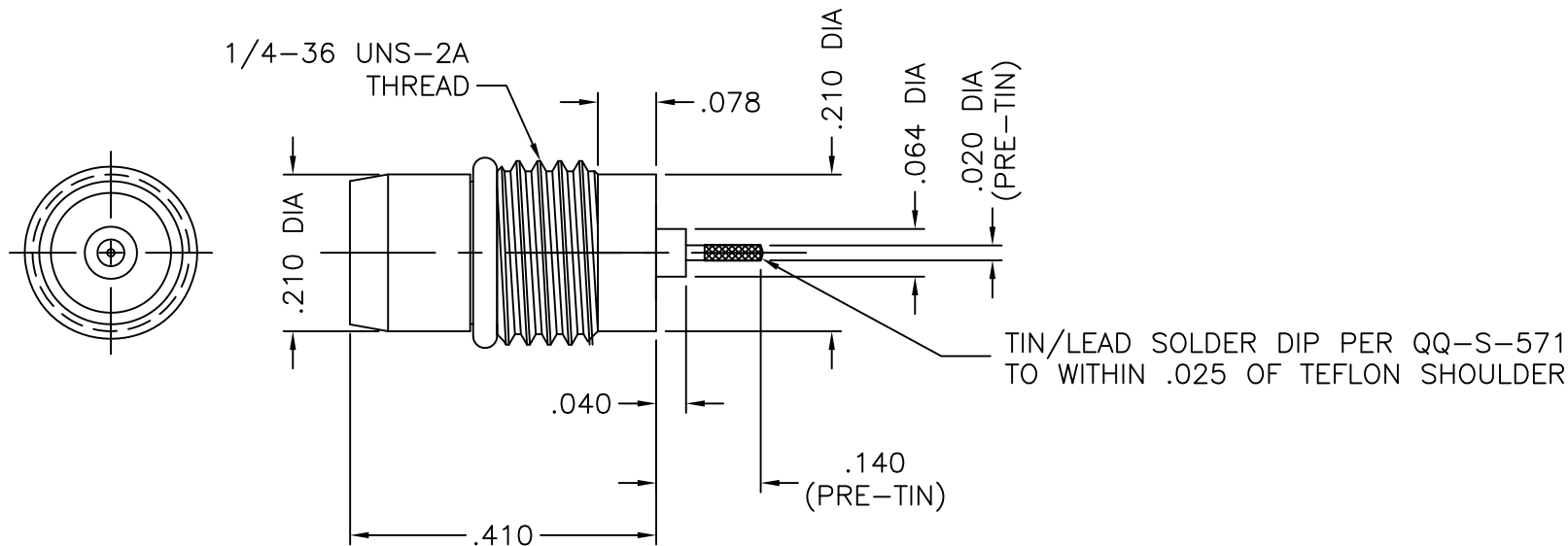


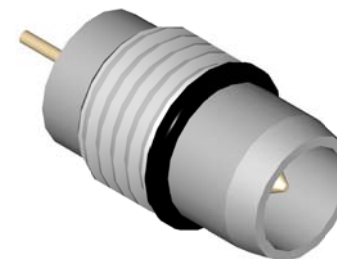


4224000K821-001



NOTES:

- ASSEMBLED CONNECTOR INTERFACE IS DESIGNED IN ACCORDANCE WITH MIL-STD-348.
- MATERIAL: BODY - CORROSION RESISTANT STEEL PER ASTM A582. UNS S30300, TYPE 1.
CONTACT - BERYLLIUM COPPER PER ASTM B196. UNS-C17300, COND. TD04.
INSULATOR - TEFLON PER ASTM D1710.
O'RING - FLUOROCARBON RUBBER PER MIL-R-832488, TYPE 1, CLASS 1.
- FINISHES: BODY - PASSIVATE PER SAE AMS-A2700
CONTACT - GOLD PLATE PER ASTM B488, TYPE I, CLASS .50 OVER NICKEL PLATE
PER SAE AMS-QQ-N-290, CLASS 2, THEN TIN/LEAD DIP PER QQ-S-571.
- ELECTRICAL:
IMPEDANCE: 50 OHMS
FREQUENCY RANGE: DC TO 22 GHz
D.W.V.: 1500 RMS
INSULATION RESISTANCE: 5,000 MEGAOHMS MIN.



3-D VIEW

UNLESS OTHERWISE SPECIFIED: TOLERANCES: 3 PLACES = ±.005, 2 PLACES = ±.02, ANGLES = ±1/2°, SURFACE FINISH = 63

B	REVISED	10/17/06
A	REVISED	10/16/06
-	OUTLINE	10/5/06
ALT.	REVISIONS	DATE

DELTA ELECTRONICS MFG. CORP. Beverly, MA 01915				
TITLE: BMA BULKHEAD PLUG RECEPTACLE - POST CONTACT				
Drawn by BJM 10/5/06	Scale 4/1	Kcd. by MR	Engr Appd MR	FILE NAME: 4224000K821-001T

THESE DRAWINGS AND SPECIFICATIONS ARE THE PROPERTY OF DELTA ELECTRONICS MFG CORP. AND SHALL NOT BE REPRODUCED, OR COPIED OR USED AS THE BASIS FOR THE MANUFACTURE OR SALE OF APPARATUS OR DEVICES WITHOUT THEIR EXPRESS WRITTEN CONSENT.

CODE IDENT.-00795

4224000K821-001