

**SENCITY® Spot-S Antenna**

1320.19.0001

**Properties**

- Compact Indoor antenna for Cellular bands between 1710 and 2170 MHz
- Gain of 8 dBi with Vertical polarisation
- Half power beamwidth of 75° (vertical) and 80° (Horizontal)
- Integrated SMA female interface

**Electrical bands**

	Band 1
Frequency	1710 MHz ... 2170 MHz
Impedance	50 Ω
VSWR	1.8
Gain	8 dBi
HPBW vertical	75 °
HPBW horizontal	80 °
Front to back ratio	18 dB
Vertical Electrical Tilt	0 °
Ambient Temperature	25 °C
Composite Power max	50 W

**Ports**

	Port 1
Connector	SMA, jack (female)
Polarization	vertical
DC grounded	No

**Mechanical data**

Weight	0.13 kg
Dimensions	101 mm x 80 mm x 20 mm (Height x Width x Depth)
Windload	front: 15 N at 160 km/h

**SENCITY® Spot-S Antenna**

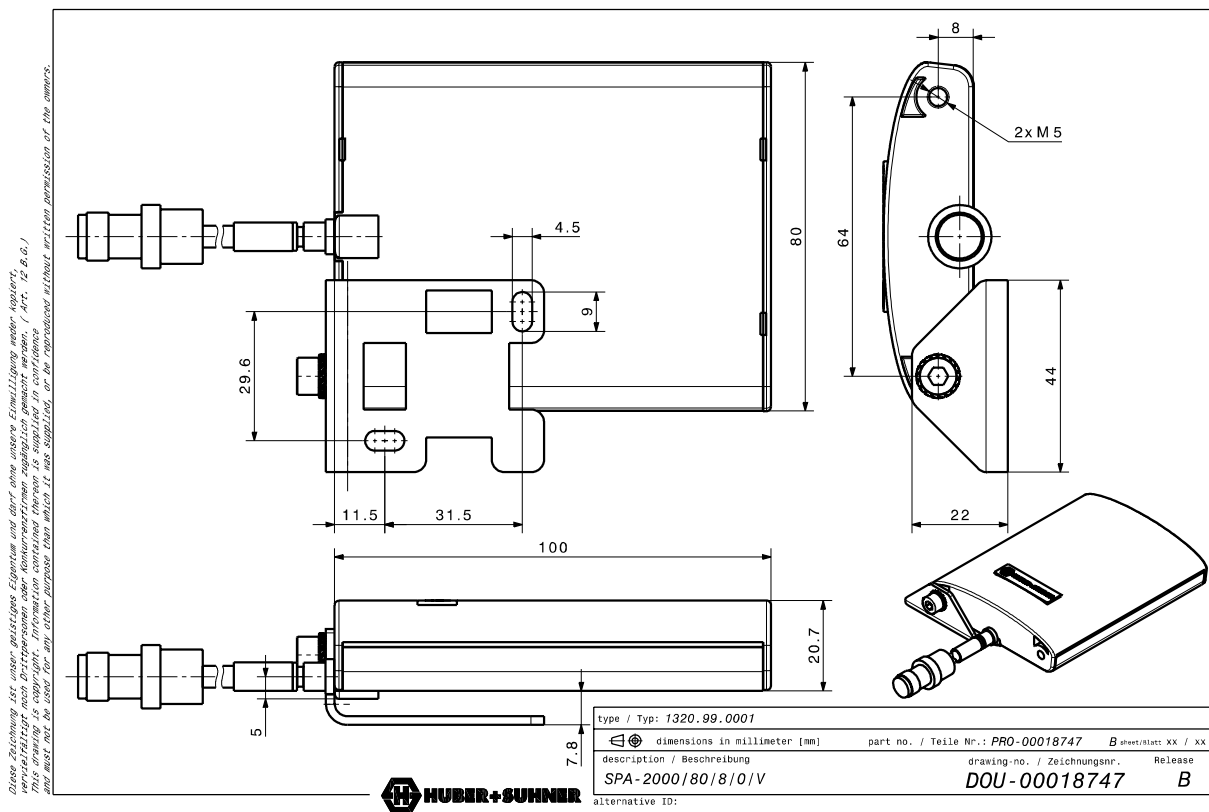
1320.19.0001

**Interface and material data**

Radome material	ASA (acrylic ester-styrene-acrylonitrile)
Radome colour	RAL 7035 (light-grey)

**Environmental data**

Operation temperature	-40 °C ... 80 °C
Storage temperature	-40 °C ... 80 °C
Transport temperature	-40 °C ... 80 °C
Environment (application)	Indoor
Flammability rating	UL 94-HB

**Outline drawing**

HUBER+SUHNER is certified by ISO 9001, ISO 14001, ISO 45001, IATF 16949, AS/EN 9100 and ISO/TS 22163-IRIS. Waiver: Facts and figures herein are for information only and do not represent any warranty of any kind.  
 DOCUMENT PIM-P3313 / Date of publication: 18.07.2024 / uncontrolled copy