

SENCITY® Omni-SR Dome Antenna

1399.17.0106

Properties

- Small omni-directional outdoor antenna for Wi-Fi applications
- Supports all Wi-Fi 6E bands
- Supports cellular 2.4 / 2.6 / 3.5 GHz bands
- Fire retardant acc. to DIN 5510-2, BS 6853, EN 45545-2, NFPA130
- Rugged design with N female interface
- Protection against lightning
- Single hole mounting

**Electrical bands**

	Band 1	Band 2	Band 3	Band 4
Frequency	2400 MHz ... 2500 MHz	2500 MHz ... 2700 MHz	3400 MHz ... 3800 MHz	4900 MHz ... 5925 MHz
VSWR	1.8	2	2	1.8
Impedance	50 Ω	50 Ω	50 Ω	50 Ω
Gain	6 dBi	6 dBi	6 dBi	8 dBi
HPBW horizontal	360 °	360 °	360 °	150 °
Ambient Temperature	25 °C	25 °C	25 °C	25 °C
Composite Power max	350 W	350 W	300 W	300 W

	Band 5
Frequency	5925 MHz ... 7125 MHz
VSWR	1.9
Impedance	50 Ω
Gain	8 dBi
HPBW horizontal	170 °
Ambient Temperature	25 °C
Composite Power max	300 W

Electrical remarks

Remarks	Note that all VSWR values are guaranteed without metallic ground plane.
---------	---

SENCITY® Omni-SR Dome Antenna

1399.17.0106

Ports	
	Port 1
Connector	N, jack (female)
Polarization	vertical
DC grounded	Yes

Connections	
Port number	Port 1
Band 1	✓
Band 2	✓
Band 3	✓
Band 4	✓
Band 5	✓

Mechanical data	
Weight	0.3 kg
Dimensions	43 mm x 86 mm (Height x Diameter)
Remarks	Grounding Designed acc. to UIC 533, DC-grounded antenna element Corrosion Low corrosion design acc. to MIL-F-14072(E)

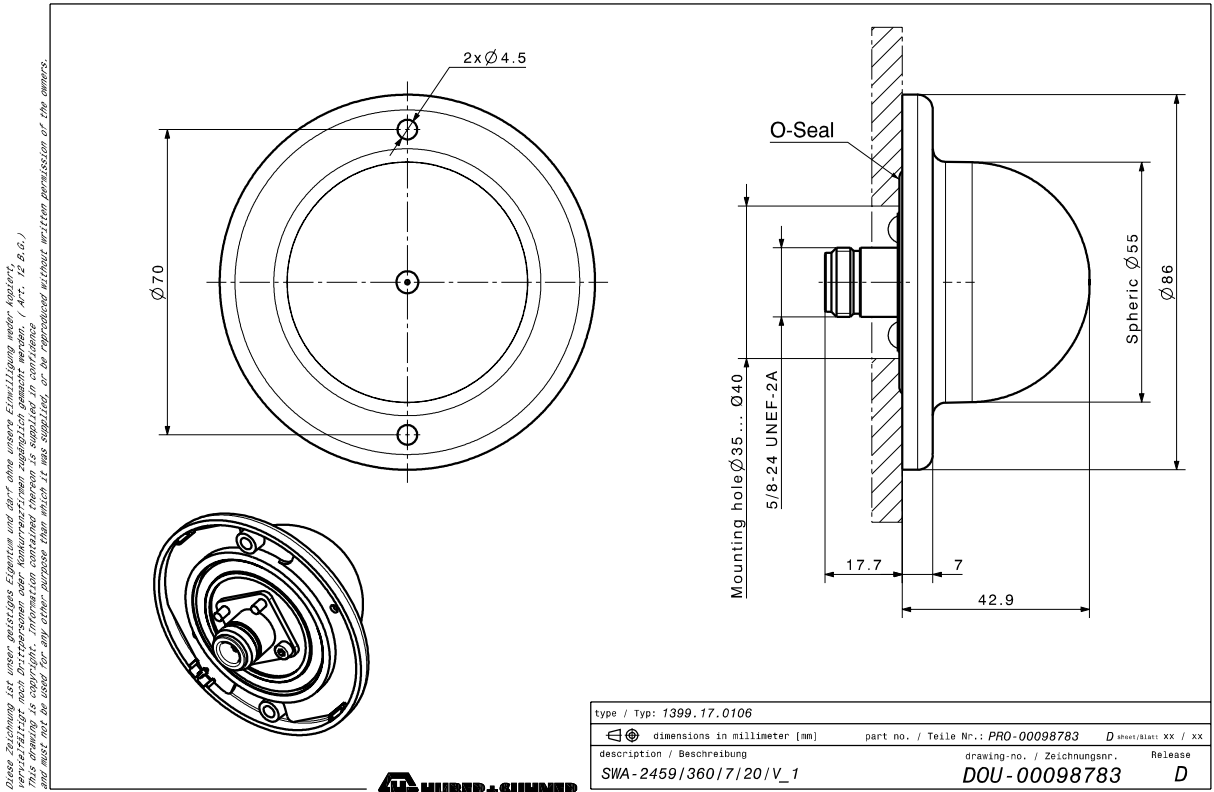
Interface and material data	
Radome material	PC (Polycarbonate)
Radome colour	RAL 7035 (light-grey)
Back plate/base plate material	Aluminum

Environmental data	
Operation temperature	-40 °C ... 80 °C
Storage temperature	-40 °C ... 80 °C
Transport temperature	-40 °C ... 80 °C
Environment (application)	Indoor
Ingress protection (IP Rating)	IP65
Flammability rating	DIN 5510

Environmental remarks	
Environmental tests EN 50155:2004	
Flammability rating: DIN 5510-2, BS 6853, EN 45545-2, NFPA130	

SENCITY® Omni-SR Dome Antenna
1399.17.0106

Outline drawing



HUBER+SUHNER is certified by ISO 9001, ISO 14001, ISO 45001, IATF 16949, AS/ EN 9100 and ISO/TS 22163-IRIS. Waiver: Facts and figures herein are for information only and do not represent any warranty of any kind. DOCUMENT PIM-P3270 / Date of publication: 19.06.2024 / uncontrolled copy