

SENCITY® Omni-S Thimble

1399.17.0224

Properties

- Omnidirectional compact broadband antenna for Wi-Fi and Cellular bands between 1710 MHz till 7125 MHz
- WiFi-4, WiFi-5, WiFi-6, WiFi-6E 4G and 5G frequencies band
- Small & robust outdoor stick antenna IP66 / IP68 / IP69K
- Direct mount on N type interface of wireless access points

**Electrical bands**

	Band 1	Band 2	Band 3	Band 4
Frequency	1710 MHz ... 2000 MHz	2000 MHz ... 2700 MHz	2700 MHz ... 4200 MHz	4900 MHz ... 5150 MHz
VSWR	2	2	2	2
Impedance	50 Ω	50 Ω	50 Ω	50 Ω
Gain	1.5 dBi	2 dBi	1.5 dBi	2.5 dBi
HPBW horizontal	360 °	360 °	360 °	360 °
Ambient Temperature	25 °C	25 °C	25 °C	25 °C
Composite Power max	200 W	160 W	120 W	120 W

	Band 5	Band 6
Frequency	5150 MHz ... 5925 MHz	5925 MHz ... 7125 MHz
VSWR	2	2
Impedance	50 Ω	50 Ω
Gain	2.5 dBi	3 dBi
HPBW horizontal	360 °	360 °
Ambient Temperature	25 °C	25 °C
Composite Power max	120 W	120 W

Ports

	Port 1
Connector	N, plug (male)
Polarization	vertical
DC grounded	No

SENCITY® Omni-S Thimble

1399,17,0224

Mechanical data	
Weight	0.05 kg
Dimensions	55 mm x 22 mm (Height x Diameter)
Remarks	Coupling nut torque: nominal 1Nm & maximum 3Nm

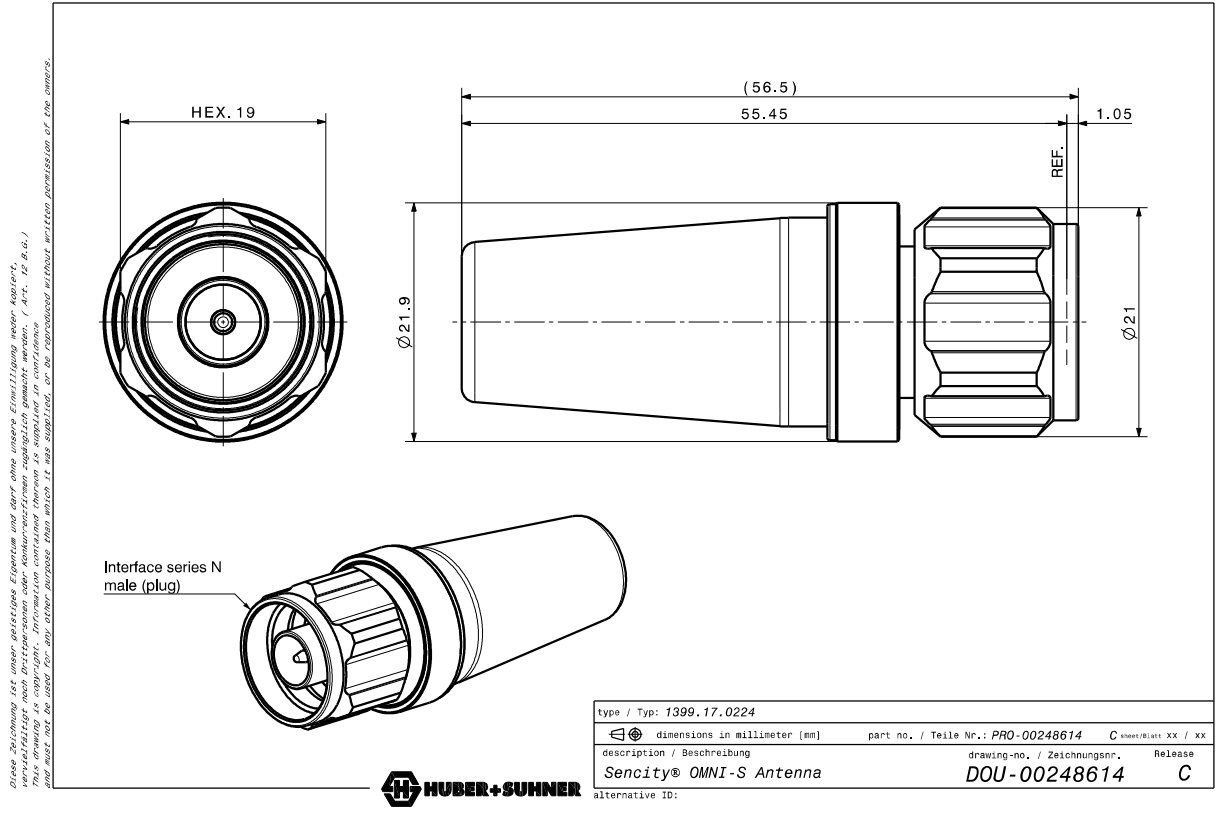
Interface and material data	
Radome material	ASA (acrylic ester-styrene-acrylonitrile)
Radome colour	RAL 7043 (dark grey)

Environmental data	
Operation temperature	-40 °C ... 85 °C
Storage temperature	-40 °C ... 85 °C
Transport temperature	-40 °C ... 85 °C
Environment (application)	Outdoor
Ingress protection (IP Rating)	IP66, IP68
Flammability rating	UL 94-HB

Environmental remarks	
Ingress protection IP66, IP68 & IP69K (EN 60529)	
Flammability rating EN 45545; DIN 5510-2	
Temperature range (damp heat) EN 60068-2-30, Test Db, Variant 1 (40°C; 6 cycles)	
Temperature shock EN 60068-2-14, Test N, -45°C/85°C, 1h, 5 cycles	
Vibration and shock EN 61373, category 1, class b (for railway carriage)	

SENCITY® Omni-S Thimble
1399.17.0224

Outline drawing



Diese Zeichnung ist unser geistiges Eigentum und darf, ohne unsere Einwilligung, weder kopiert, vervielfältigt noch druckvervielfältigt oder elektronisch weitergegeben werden. (Art. 17, B.G.B.)
 This drawing is copyright. Information contained therein is supplied in confidence and must not be used for any other purpose than intended. It has submitted, or be reproduced without written permission of the owners.

type / Typ: 1399.17.0224			
Ⓢ	dimensions in millimeter [mm]	part no. / Teile Nr.: PRO-00248614	C 0001/01/01 XX / XX
description / Beschreibung		drawing-no. / Zeichnungsnr.	Release
Sencity® OMNI-S Antenna		DOU-00248614	C

alternative 10:

HUBER+SUHNER is certified by ISO 9001, ISO 14001, ISO 45001, IATF 16949, AS/EN 9100 and ISO/TS 22163-IRIS. Waiver: Facts and figures herein are for information only and do not represent any warranty of any kind. DOCUMENT PIM-P3255 / Date of publication: 18.06.2024 / uncontrolled copy