

SENCITY® Omni-SR MIMO Antenna

1399.17.0240

Properties

- Compact omni-directional 4x4 MIMO cabinet/ceiling mount antenna
- Supports 4x4 WiFi MIMO in Wi-Fi 4 / Wi-Fi 6 bands
- Supports 4x4 Cellular MIMO in 2.3 / 2.6 / 3.5 GHz bands
- Fire retardant acc. to EN 45545-2 and NFPA130
- Rugged design, meets EN 50155 Railway Standard
- Single hole mounting



Electrical bands

	Band 1	Band 2	Band 3	Band 4
Frequency	2300 MHz ... 2500 MHz	2500 MHz ... 2690 MHz	3400 MHz ... 3800 MHz	4900 MHz ... 5975 MHz
VSWR	1.7	1.8	1.8	1.5
Impedance	50 Ω	50 Ω	50 Ω	50 Ω
Gain	3.5 dBi	3.5 dBi	5 dBi	4.5 dBi
Isolation between Ports	15 dB	16 dB	25 dB	30 dB
Ambient Temperature	25 °C	25 °C	25 °C	25 °C
Composite Power max	10 W	10 W	10 W	10 W

Electrical remarks

Remarks

Ground plane: Antenna works on metallic as well as on non-metallic ground plane. Indicated gain values are valid for an antenna mounted on metallic ground plane of 0.5m diameter.

Ports

	Port 1	Port 2	Port 3	Port 4
Port name	Wi-Fi	Wi-Fi	Wi-Fi	Wi-Fi
Connector	N, plug (male)	N, plug (male)	N, plug (male)	N, plug (male)
Cable type	RADOX_RF_316_D	RADOX_RF_316_D	RADOX_RF_316_D	RADOX_RF_316_D
Cable length	0.5 m	0.5 m	0.5 m	0.5 m
Polarization	vertical	vertical	vertical	vertical
DC grounded	Yes	Yes	Yes	Yes

SENCITY® Omni-SR MIMO Antenna

1399,17,0240

Connections				
Port number	Port 1	Port 2	Port 3	Port 4
Band 1	✓	✓	✓	✓
Band 2	✓	✓	✓	✓
Band 3	✓	✓	✓	✓
Band 4	✓	✓	✓	✓

Mechanical data	
Weight	0.9 kg
Dimensions	33.2 mm x 145 mm (Height x Diameter)

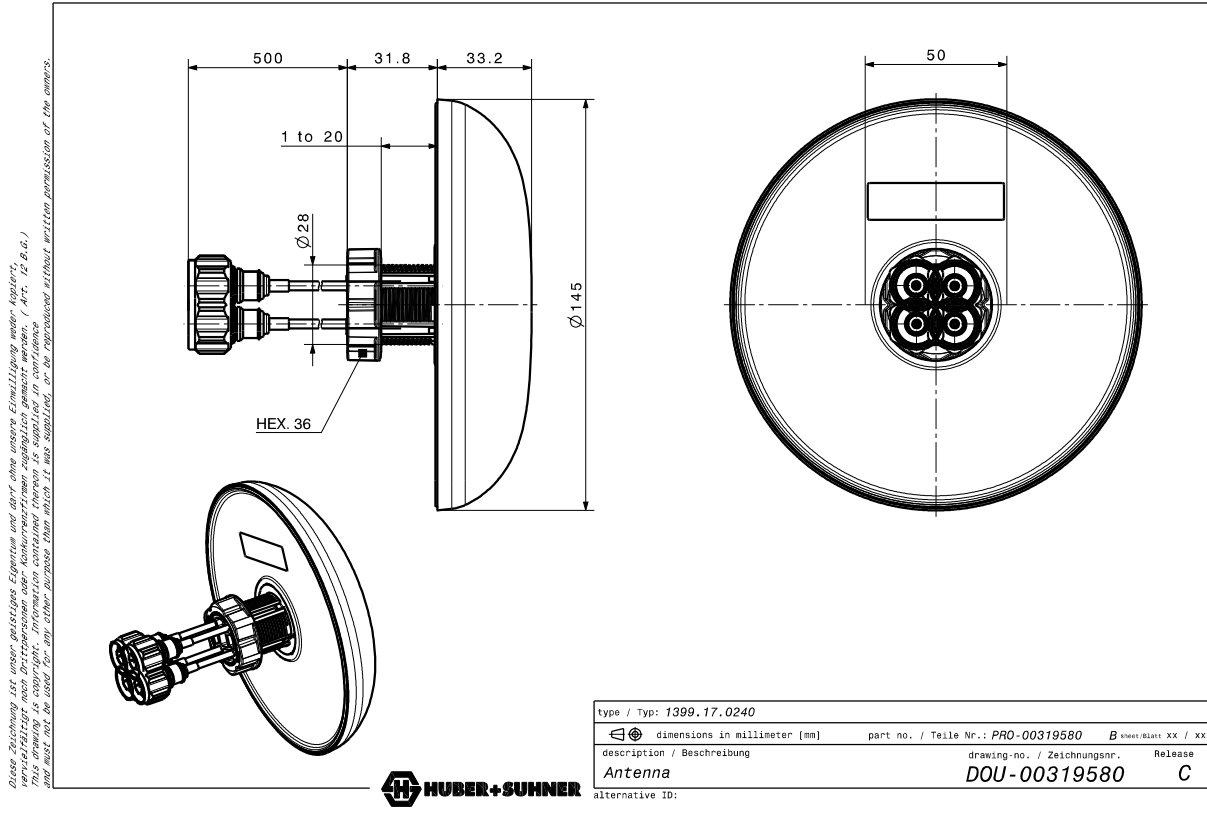
Interface and material data	
Radome material	PC (Polycarbonate)
Radome colour	RAL 7044 (grey)

Environmental data	
Operation temperature	-45 °C ... 85 °C
Installation temperature	-45 °C ... 85 °C
Storage temperature	-45 °C ... 85 °C
Environment (application)	Indoor/Outdoor
Ingress protection (IP Rating)	IP68, IP69
Flammability rating	EN 45545-2
Solar radiation	DIN 75220

Environmental remarks	
Flamability: EN 45545-2 (2013) HL3, NFPA130 (2013)	
Environment: EN 50155 (2016)	
Cooling EN 60068-2-1 (2007), test Ad, -55°C, 8h	
Dry heat EN-60068-2-2 (2007), test Bb, +85°C, 8h	
Damp heat cyclic EN 60068-2-30, +25/55°C	
Temperature change EN 60068-2-14 (2008), -40/+85°C	
Salt mist EN 60068-2-11 (2008), 96h	
Mechanical vibration/shock/simulated lifetime: IEC 61373 (2010), § 9 and § 10, category 1B	
Hammer impact test: EN 60068-2-75 (1997), IEC 62262 (2002) IK10, test Ehc	
Corrosion: MIL-F-14072 E type 1 "exposed"	

SENCITY® Omni-SR MIMO Antenna
1399.17.0240

Outline drawing



HUBER+SUHNER is certified by ISO 9001, ISO 14001, ISO 45001, IATF 16949, AS/ EN 9100 and ISO/TS 22163-IRIS. Waiver: Facts and figures herein are for information only and do not represent any warranty of any kind. DOCUMENT PIM-P31248 / Date of publication: 24.06.2024 / uncontrolled copy