

SENCITY® Rondo 600 MIMO Antenna

1399.31.0007

Properties

- Indoor DAS omni-directional antenna for In-Building Coverage
- AMPS, GSM, PCS, CDMA, UMTS, WiFi, WLAN 2.4, LTE
- Design Patent DM/088510
- Antenna ETL tested for Plenum space (UL 2043)

**Electrical bands**

	Band 1	Band 2	Band 3	Band 4
Frequency	617 MHz ... 698 MHz	698 MHz ... 790 MHz	790 MHz ... 960 MHz	1695 MHz ... 2180 MHz
VSWR	1.8	1.9	2	1.6
Impedance	50 Ω	50 Ω	50 Ω	50 Ω
Gain	2.5 dBi	3.5 dBi	4.5 dBi	5 dBi
Isolation between Ports	13 dB	15 dB	17 dB	20 dB
Ambient Temperature	55 °C			
Composite Power max	50 W			

	Band 5	Band 6	Band 7	Band 8
Frequency	2180 MHz ... 2400 MHz	2400 MHz ... 2500 MHz	2500 MHz ... 2690 MHz	3300 MHz ... 4200 MHz
VSWR	1.6	1.5	1.5	2
Impedance	50 Ω	50 Ω	50 Ω	50 Ω
Gain	6 dBi	6.5 dBi	6.5 dBi	5.5 dBi
Isolation between Ports	18 dB	18 dB	18 dB	21 dB
Ambient Temperature				
Composite Power max				

Electrical remarks

IMD level	-155 dBc at carrier power 2x 43 dBm
Remarks	Gain specification defined without use of ground plane. Radiator grounded for remote connectivity surveillance

Ports

	Port 1	Port 2
Connector	4.3-10, jack (female)	4.3-10, jack (female)
Cable type	SUCOFORM_141_CU_CMP	SUCOFORM_141_CU_CMP
Cable length	0.35 m	0.35 m

SENCITY® Rondo 600 MIMO Antenna

1399,31.0007

Ports		
	Port 1	Port 2
Polarization	vertical	vertical
DC grounded	Yes	Yes

Connections			
Port number	Port 1	Port 2	
Band 1	✓	✓	
Band 2	✓	✓	
Band 3	✓	✓	
Band 4	✓	✓	
Band 5	✓	✓	
Band 6	✓	✓	
Band 7	✓	✓	
Band 8	✓	✓	

Mechanical data	
Weight	0.82 kg
Dimensions	87 mm x 238 mm (Height x Diameter)

Interface and material data	
Radome material	PC (Polycarbonate)
Radome colour	White
Back plate/base plate material	PCB_1

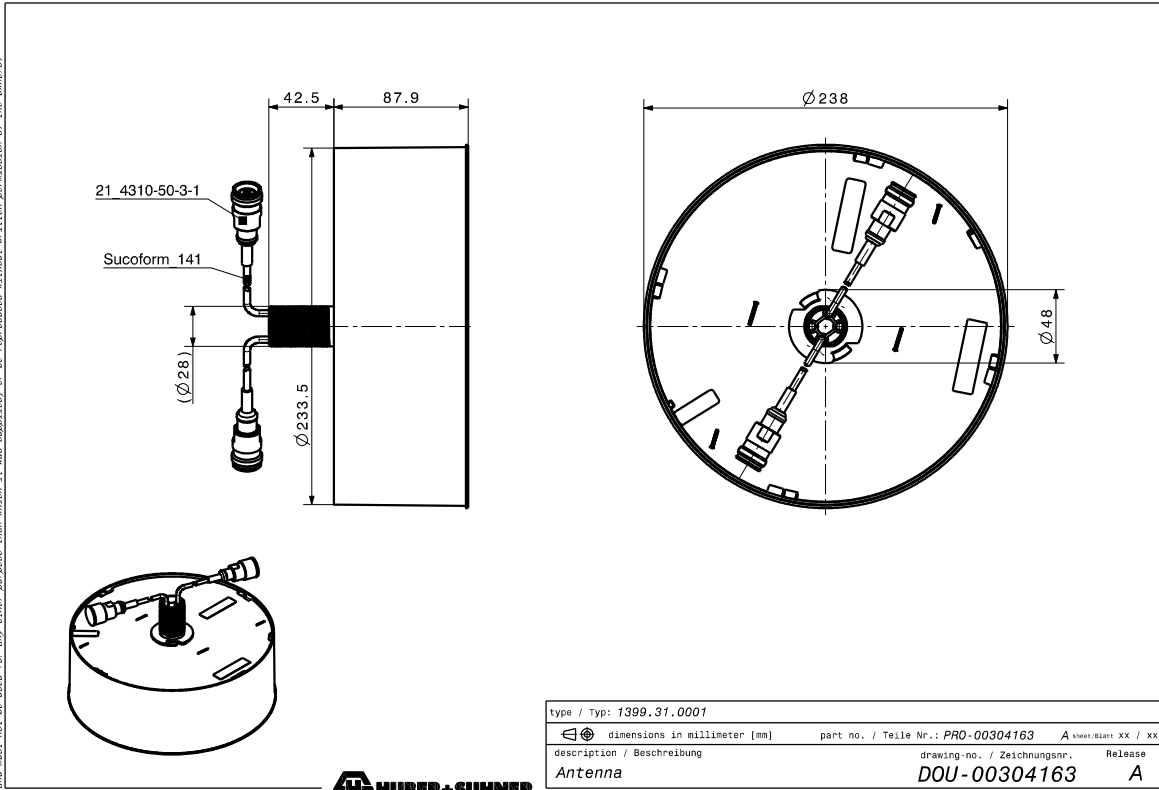
Environmental data	
Operation temperature	0 °C ... 55 °C
Storage temperature	-55 °C ... 85 °C
Transport temperature	-55 °C ... 85 °C
Environment (application)	Indoor
Flammability rating	UL 94-V0
Solar radiation	UL 746C, F1

Environmental remarks	
Plenum rated pigtail cable (UL2043)	

SENCITY® Rondo 600 MIMO Antenna
1399.31.0007

Outline drawing

Diese Zeichnung ist unser geistiges Eigentum und darf ohne unsere Einwilligung weder kopiert, vervielfältigt noch Dritten oder Konkurrenten zugänglich gemacht werden. (Art. 17 B.G.)
 This drawing is copyright. Information contained therein is supplied in confidence and must not be used for any other purpose than into. It was submitted, or be reproduced without written permission of the owner.



HUBER+SUHNER is certified by ISO 9001, ISO 14001, ISO 45001, IATF 16949, AS/EN 9100 and ISO/TS 22163-IRIS. Waiver: Facts and figures herein are for information only and do not represent any warranty of any kind.
DOCUMENT PIM-P3235 / Date of publication: 13.06.2024 / uncontrolled copy