

**SENCITY® Road MIMO**

1399.99.0128

**Properties**

- Rugged vehicle rooftop multi-band antenna for heavy duty vehicles like bus and truck
- Supports WiFi 2.4, 5 GHz and IEEE 802.11p in 3x3 MIMO configurations.
- Single hole mounting, easy cabling feed-through
- Works also on non-metallic surfaces.

**Electrical bands**

	Band 1	Band 2
Frequency	2400 MHz ... 2690 MHz	4900 MHz ... 5935 MHz
Impedance	50 Ω	50 Ω
VSWR	1.8	1.8
Gain	6 dBi	7 dBi
Isolation between Ports	14 dB	22 dB
Ambient Temperature	25 °C	25 °C
Composite Power max	40 W	30 W

**Ports**

	Port 1	Port 2	Port 3
Connector	SMA, jack (female)	SMA, jack (female)	SMA, jack (female)
Cable media type	ENVIROFLEX_316_D -AM	ENVIROFLEX_316_D -AM	ENVIROFLEX_316_D -AM
Cable length	0.3 m	0.3 m	0.3 m
Polarization	vertical	vertical	vertical
DC grounded	Yes	No	Yes

**Connections**

Port number	Port 1	Port 2	Port 3
Band 1	✓	✓	✓
Band 2	✓	✓	✓

**SENCITY® Road MIMO**

1399,99,0128

**Mechanical data**

Weight	0.41 kg
Dimensions	82 mm x 83 mm x 208 mm (Height x Width x Depth)

**Interface and material data**

Radome material	ASA (acrylic ester-styrene-acrylonitrile)
Radome colour	RAL 7043 (dark grey)
Back plate/base plate material	Aluminium

**Environmental data**

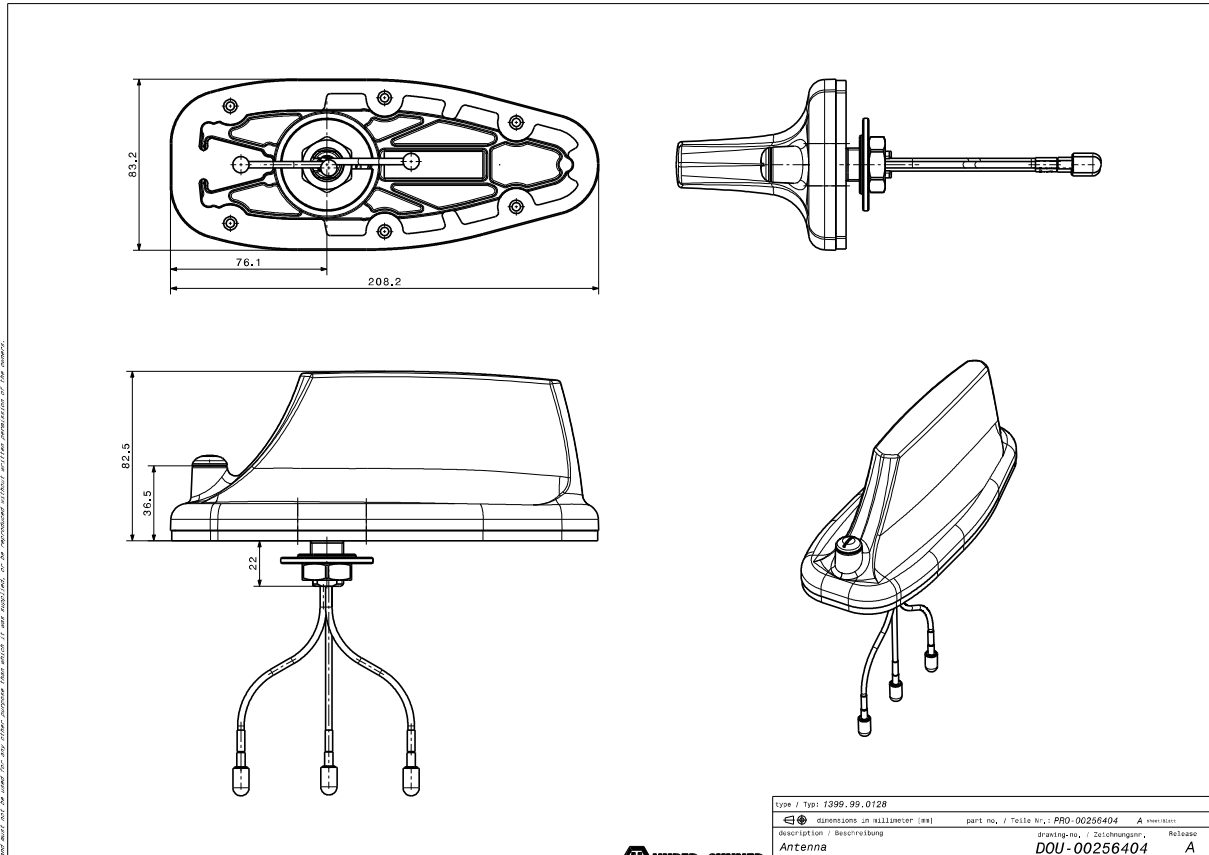
Operation temperature	-40 °C ... 85 °C
Storage temperature	-40 °C ... 85 °C
Transport temperature	-40 °C ... 85 °C
Environment (application)	Indoor/Outdoor
Ingress protection (IP Rating)	Mated / IP68, IP69
Flammability rating	ECE-R118
Solar radiation	DIN 75220

**Environmental remarks**

ISO 16750:2010 environmental tests  
MIL-F-14072D low corrosion design  
E-Mark  
CE-Mark

**SENCITY® Road MIMO**  
1399.99.0128

**Outline drawing**



Diese Zeichnung ist unter geschützter Eigentümern und darf ohne unsere schriftliche Genehmigung nicht weitergegeben werden. Die Weitergabe ist ohne schriftliche Genehmigung untersagt. (für die Weitergabe ist die Weitergabe ohne schriftliche Genehmigung untersagt.)  
 This drawing is the property of Huber+Suhner and shall not be distributed without our written permission. (for the distribution without written permission of the owner.)

HUBER+SUHNER is certified by ISO 9001, ISO 14001, ISO 45001, IATF 16949, AS/ EN 9100 and ISO/TS 22163-IRIS. Waiver: Facts and figures herein are for information only and do not represent any warranty of any kind. DOCUMENT PIM-P38213 / Date of publication: 01.05.2024 / uncontrolled copy