

SENCITY® Rail MIMO 5-Port Antenna with GNSS/LNA

1399.99.0157

Properties

- 5-Port Railway rooftop antenna for Cellular and Wi-Fi bands
- Supports 2x2 Cellular MIMO for 3G, 4G and 5G
- Supports 2x2 Wi-Fi MIMO in all Wi-Fi 6E bands
- 2 dedicated radiators for Cellular/Wi-Fi bands
- 2 dedicated radiators for Wi-Fi/WiMAX bands
- Embedded GNSS antenna with integrated LNA supports GPS L1, Galileo E1, BeiDou B1 and GLONASS G1
- Rugged design, meets EN 50155 Railway Standard
- Fire retardant according to EN 45545-2 and NFPA-130
- Dedicated grounding contact and Cable conduit support (sold separately)



Electrical bands

	Band 1	Band 2	Band 3	Band 4
Name	Cell/Wi-Fi 1	Cell/Wi-Fi 2	Cell/Wi-Fi 3	Cell/Wi-Fi 4
Frequency	617 MHz ... 960 MHz	1350 MHz ... 2700 MHz	2700 MHz ... 3300 MHz	3300 MHz ... 4900 MHz
VSWR	1.7	1.7	1.7	1.8
Impedance	50 Ω	50 Ω	50 Ω	50 Ω
Gain	5 dBi	7 dBi	5.5 dBi	5.5 dBi
Isolation between Ports	15 dB	25 dB	45 dB	35 dB
Ambient Temperature	25 °C	25 °C	25 °C	25 °C
Composite Power max	80 W	80 W	80 W	80 W

SENCITY® Rail MIMO 5-Port Antenna with GNSS/LNA

1399,99,0157

	Band 5	Band 6	Band 7	Band 8
Name	Cell/Wi-Fi 5	Wi-Fi 1	Wi-Fi 2	GNSS
Frequency	4900 MHz ... 7125 MHz	2400 MHz ... 2500 MHz	4900 MHz ... 7125 MHz	1559 MHz ... 1610 MHz
VSWR	1.8	1.7	2.3	1.8
Impedance	50 Ω	50 Ω	50 Ω	50 Ω
Gain	7 dBi	6 dBi	6.5 dBi	
Isolation between Ports	40 dB	15 dB	15 dB	
Ambient Temperature	25 °C	25 °C	25 °C	
Composite Power max	80 W	80 W	80 W	

Electrical remarks

Remarks	Indicated VSWR values are valid for a metallic ground plane of 0.5 x 0.5m or larger. In the 1350-7125 MHz band, Indicated VSWR values are also valid for installations on non-metallic surfaces (no specific ground plane requirements). Indicated gain values will be achieved on a metallic ground plane of 1 x 1 m or larger.
---------	--

Ports

	Port 1	Port 2	Port 3	Port 4
Port name	Cell/Wi-Fi 1	Cell/Wi-Fi 2	Wi-Fi 1	Wi-Fi 2
Connector	N, jack (female)	N, jack (female)	N, jack (female)	N, jack (female)
Cable type	RADOX_RF_142	RADOX_RF_142	RADOX_RF_316_D	RADOX_RF_316_D
Cable length	0.24 m	0.12 m	0.36 m	0.3 m
Polarization	vertical	vertical	vertical	vertical
DC grounded	Yes	Yes	Yes	Yes

	Port 5
Port name	GNSS
Connector	TNC, plug (male)
Cable type	RADOX_RF_316_D
Cable length	0.17 m
Polarization	circular right
DC grounded	No

Connections

Port number	Port 1	Port 2	Port 3	Port 4	Port 5
Band 1	✓	✓			
Band 2	✓	✓			
Band 3	✓	✓			
Band 4	✓	✓			
Band 5	✓	✓			
Band 6			✓	✓	
Band 7			✓	✓	
Band 8					✓

SENCITY® Rail MIMO 5-Port Antenna with GNSS/LNA

1399,99,0157

Electrical data LNA	
LNA is connected to	Port 5
Input voltage	3 V ... 5 V
Current consumption	30 mA
Noise figure	2 dB
Total gain @90° elevation	30 dBic
Remarks	<p>Values for LNA power consumption, noise figure and gain are given for a 5V operating voltage and may differ slightly for a lower voltage.</p> <p>This Antenna is compliant with the Radio Equipment Directive 2014/53/EU</p> <p>EMC: EN50121-3-2 (2016)</p> <p>ETSI EN 303 413 V.1.1.1 (2017-06)</p> <p>ETSI EN 301 489-1 V2.2.3 (2019-03)</p> <p>ETSI EN 301 489-19 V2.1.1 (2019-04)</p>

Mechanical data	
Weight	2.3 kg
Dimensions	81.6 mm x 102.5 mm x 352.5 mm (Height x Width x Depth)
Remarks	<p>High-voltage-protection: no voltage on RF port, if the catenary line touches the antenna (EN 50124-1, 3.8 kVDC, 27.5 kVAC, 1min).</p> <p>High-current-protection: Designed acc. to UIC 533, DC-grounded antenna element (protection against lightning and short circuit with catenary lines (40kA/0.125s, 70kA/0.05s).</p> <p>Corrosion: Low corrosion design acc. to MIL-DTL-14072(E), 96 hours Salt Spray test</p> <p>Mounting: Shall be installed in longitudinal position to the wind/driving direction.</p> <p>Suitable for installation on high-speed trains with a maximum speed of 500 km/hr.</p> <p>4x composite sealing washers included for silicone-free sealing of the mounting screws.</p>

Interface and material data	
Radome material	PC (Polycarbonate)
Radome colour	RAL 7043 (dark grey)
Back plate/base plate material	Aluminum
Back plate/base plate plating	Passivated (Plating)
Back plate/base plate colour	Grey

Environmental data	
Operation temperature	-55 °C ... 85 °C
Storage temperature	-55 °C ... 85 °C
Transport temperature	-55 °C ... 85 °C
Environment (application)	Outdoor
Ingress protection (IP Rating)	Mated / IP67, IP69
Flammability rating	EN 45545-2 R24 HL3
Solar radiation	UL 746C, F1

Environmental remarks	
<p>Environmental tests: EN 50155:2018-05</p> <p>Flammability rating: EN45545-2:2013 + A1:2015, NFPA-130:2017</p> <p>Tested according to ISO 4589-2:2017, NFX 70-100-1:2006, ISO 5659-2:2011.</p>	

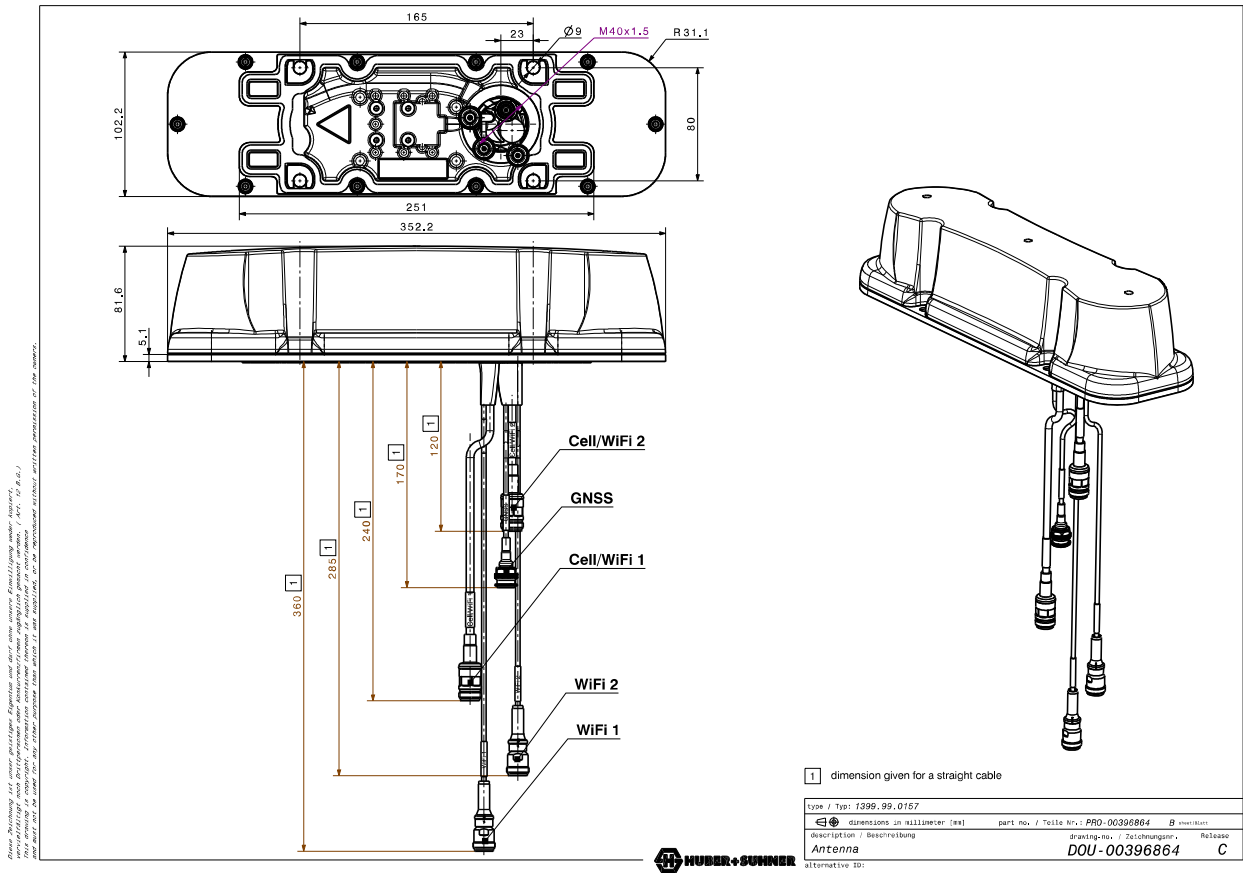
SENCITY® Rail MIMO 5-Port Antenna with GNSS/LNA

1399.99.0157

Additional Information

Antennas with production date prior to 01-Oct-2020 support only GPS and GLONASS bands between 1574 - 1610 MHz
 This product meets the Deutsche Bahn specifications for rolling stock equipment. Protected by Patents: DE202015009331(U1), US10116056(B2), CN106663861B, US7327320B2, CN1765030B, AU2003218856A1, CA2521771C, SG114406, ZA200508290.

Outline drawing



HUBER+SUHNER is certified by ISO 9001, ISO 14001, ISO 45001, IATF 16949, AS/ EN 9100 and ISO/TS 22163-IRIS. Waiver: Facts and figures herein are for information only and do not represent any warranty of any kind.
 DOCUMENT PIM-P3200 / Date of publication: 11.06.2024 / uncontrolled copy