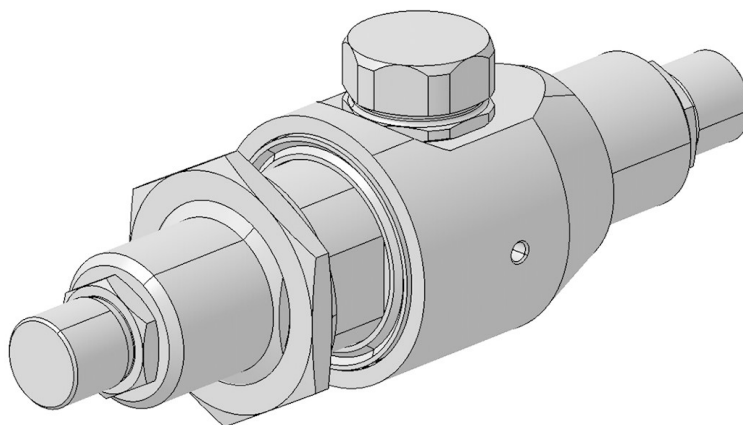


# COAXIAL SURGE PROTECTOR DEVICE, GDT technology up to 2.5 GHz

3402.99.0004

## Properties

- Broadband frequency operation from DC to 1.5 GHz
- Gas discharge tube replaceable and not included
- DC/AC remote powering via coaxial same cable
- Surge current handling capability 30 kA once and 20 kA multiple
- Semper self-extinguishing functionality optional



## Product configuration

Main path connectors	Port 1: unprotected, F jack (female) Port 2: protected, F jack (female)
Mounting and grounding	MH25 (bulkhead mounting)

## Interface and material data

Housing material / plating	Brass / SUCOPLATE (R) Plating
Center contact, material / plating	Port 1: Copper Beryllium Alloy / Gold Plating (without Nickel underplating) Port 2: Copper Beryllium Alloy / Gold Plating (without Nickel underplating)

## Electrical data

Impedance	75 $\Omega$
Frequency frame	0 MHz to 1500 MHz
Insertion loss typical	0.5 dB
CW power frame	50 W
Residual pulse energy (typ.)	350 $\mu$ J (test pulse 4 kV 1.2/50 $\mu$ s; 2 kA 8/20 $\mu$ s)
Residual pulse voltage (typ.)	650 V (test pulse 4 kV 1.2/50 $\mu$ s; 2 kA 8/20 $\mu$ s)
Surge current handling capability	30 kA single, 20 kA multiple (test pulse 8/20 $\mu$ s)

## Electrical bands

	Band 1
Frequency range	0 MHz ... 500 MHz
Return loss	$\geq$ 15 dB

**COAXIAL SURGE PROTECTOR DEVICE, GDT technology up to 2.5 GHz**

3402.99.0004

Electrical bands	
	Band 1
Insertion loss	≤ 0.25 dB

Electrical remarks	
Gas tube	Yes DC, GDT not included
Electrical remarks	Data refer to GDT 9071.99.0547, 230 V

Mechanical data	
Weight	157 g

Environmental data	
Operation temperature	-40 °C ... 85 °C
Storage temperature	-40 °C ... 85 °C
Ingress protection (IP Rating)	IP54
Thermal shock according	MIL-STD-202, Method 107, Cond. B
Vibration according	MIL-STD-202, Method 204, Cond. D
Moisture resistance according	MIL-STD-202, Method 106

Ordering Information Table	
Item number	Item description
22650385	3402.99.0004

HUBER+SUHNER is certified by ISO 9001, ISO 14001, ISO 45001, IATF 16949, AS/EN 9100 and ISO/TS 22163-IRIS. Waiver: Facts and figures herein are for information only and do not represent any warranty of any kind.  
DOCUMENT PIM-P1993 / Date of publication: 05.04.2024 / uncontrolled copy