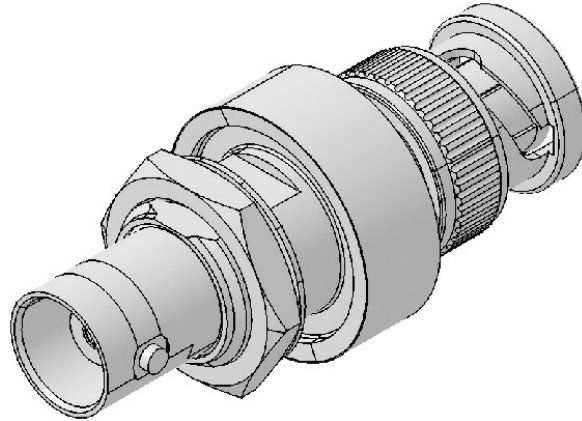


COAXIAL SURGE PROTECTOR DEVICE, Slim Line GDT technology

3406.01.0003

Properties

- Slim in-line design
- Broadband operation from DC up to 4 GHz
- DC continuity for remote powering
- Permanently installed gas discharge tube
- RF power up to 60W max.



Product configuration

Main path connectors	Port 1: unprotected, BNC plug (male) Port 2: protected, BNC jack (female)
Mounting and grounding	MH4 (bulkhead mounting)
Side of bulkhead	protected side

Material data

Housing material / plating	Brass / Silver / Gold Plating
Center contact, material / plating	Port 1: Brass / Gold Plating (without Nickel underplating) Port 2: Copper Beryllium Alloy / Gold Plating (without Nickel underplating)

Electrical data

Impedance	50 Ω
Frequency frame	0 MHz to 4000 MHz
Return loss typical	20 dB
Insertion loss typical	0.2 dB
CW power frame	60 W

Electrical remarks

Surge current handling capability	10 single / 5 multiple kA (test pulse 8/20 μ s)
Residual pulse energy	250 μ J typically (test pulse 4 kV 1.2/50 μ s / 2 kA 8/20 μ s) main path - protected side
Gas tube	Yes DC, GDT included, not replaceable

Mechanical data

Weight	45 g
Mating cycles	500

COAXIAL SURGE PROTECTOR DEVICE, Slim Line GDT technology

3406.01.0003

Environmental data	
Operation temperature	-40 °C ... 85°C
Storage temperature	-40 °C ... 85°C
Ingress protection (IP Rating)	IP20

Ordering Information Table	
Item number	Item description
23026112	3406.01.0003

HUBER+SUHNER is certified by ISO 9001, ISO 14001, ISO 45001, IATF 16949, AS/EN 9100 and ISO/TS 22163-IRIS. Waiver: Facts and figures herein are for information only and do not represent any warranty of any kind.
DOCUMENT PIM-P1977 / Date of publication: 07.11.2023 / uncontrolled copy