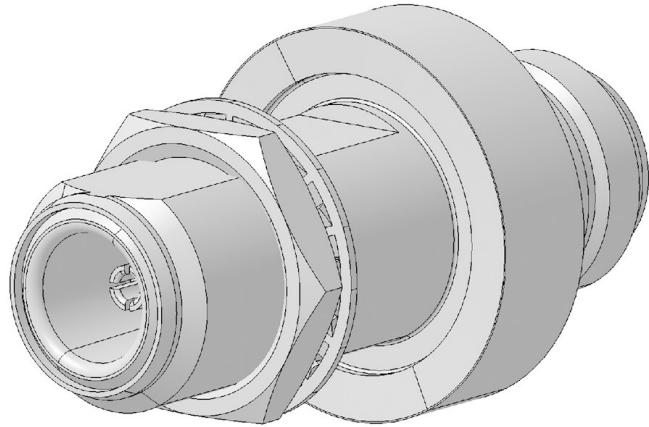


# COAXIAL SURGE PROTECTOR DEVICE, Slim Line GDT technology

3406.17.0009

## Properties

- Slim in-line design
- Broadband operation from DC up to 6 GHz
- DC continuity for remote powering
- Permanently installed gas discharge tube
- RF power up to 60W max.



## Product configuration

Main path connectors	Port 1: unprotected, N jack (female) Port 2: protected, N jack (female)
Mounting and grounding	MH24 (bulkhead mounting)
Side of bulkhead	protected side
Inline design	YES
EMP can be install reversed	YES

## Interface and material data

Housing material / plating	Brass / Silver / Gold Plating
Center contact, material / plating	Port 1: Copper Beryllium Alloy / Gold Plating (without Nickel underplating) Port 2: Copper Beryllium Alloy / Gold Plating (without Nickel underplating)

## Electrical data

Impedance	50 $\Omega$
Frequency frame	0 MHz to 6000 MHz
Return loss typical	15 dB
Insertion loss typical	0.3 dB
CW power frame	50 W
Static spark voltage	200 V, +/- 25 % (@ 100 V/s)
Residual pulse energy (typ.)	250 $\mu$ J (test pulse 4 kV 1.2/50 $\mu$ s; 2 kA 8/20 $\mu$ s)
Surge current handling capability	10 kA single, 5 kA multiple (test pulse 8/20 $\mu$ s)

## Electrical bands

	Range 1	Range 2
Frequency range	0 MHz ... 5600 MHz	5600 MHz ... 5800 MHz
Return loss	20 dB	18.5 dB

**COAXIAL SURGE PROTECTOR DEVICE, Slim Line GDT technology**

3406.17.0009

Electrical bands		
	Range 1	Range 2
Insertion loss	0.2 dB	0.2 dB

Electrical remarks	
Gas tube	Yes DC, GDT included, not replaceable

Mechanical data	
Weight	90 g
Mating cycles	500

Environmental data	
Operation temperature	-40 °C ... 85 °C
Storage temperature	-40 °C ... 85 °C
Ingress protection (IP Rating)	IP67
Thermal shock according	MIL-STD-202, Method 107, Cond. B
Vibration according	MIL-STD-202, Method 204, Cond. D
Moisture resistance according	MIL-STD-202, Method 106

Comment	
	Return Loss 5600 - 5800 MHz typ > 20 dB

Ordering Information Table	
Item number	Item description
23017636	3406.17.0009

HUBER+SUHNER is certified by ISO 9001, ISO 14001, ISO 45001, IATF 16949, AS/EN 9100 and ISO/TS 22163-IRIS. Waiver: Facts and figures herein are for information only and do not represent any warranty of any kind.  
DOCUMENT PIM-P1975 / Date of publication: 10.04.2024 / uncontrolled copy