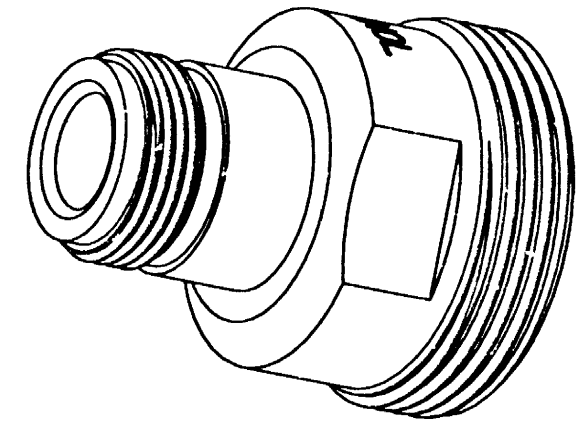
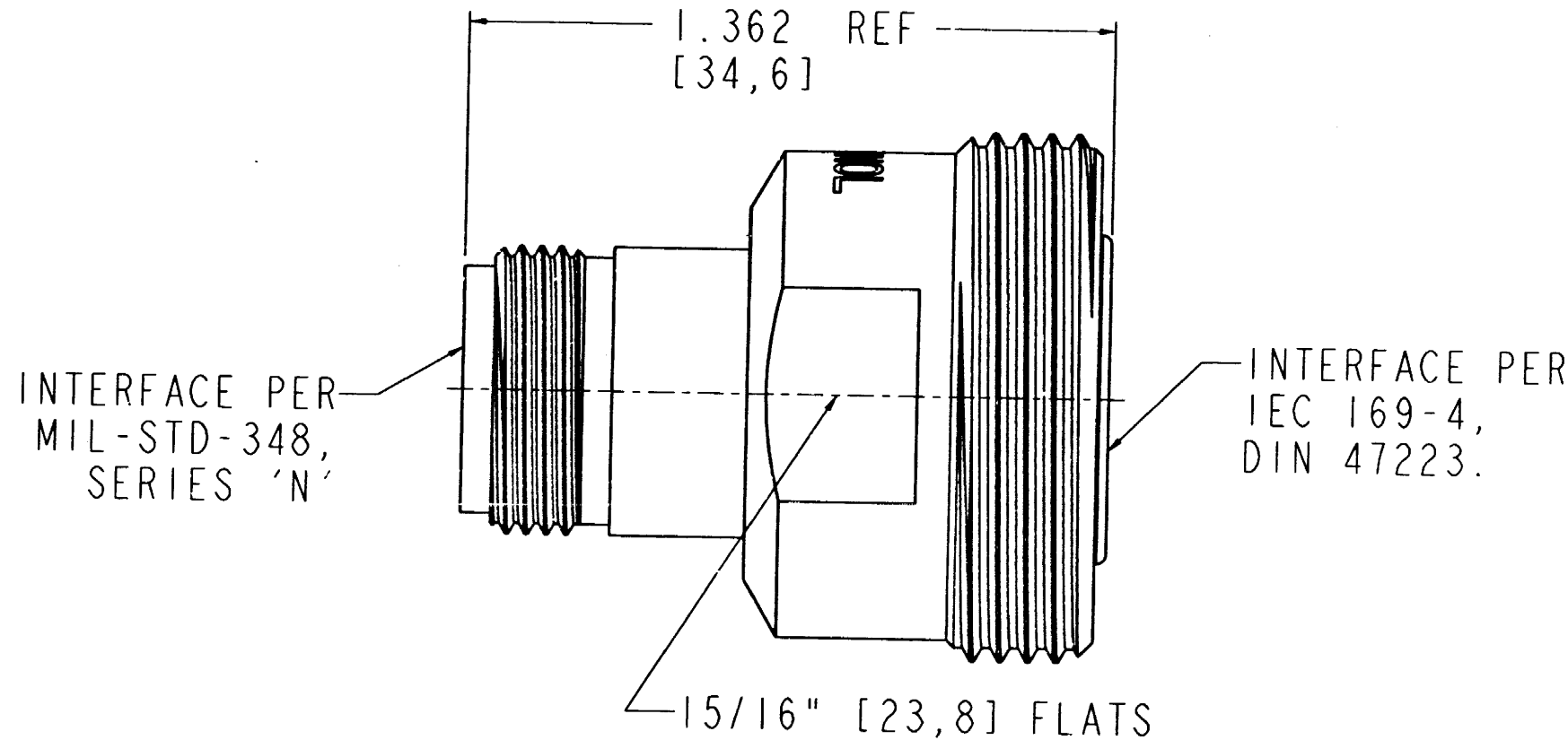


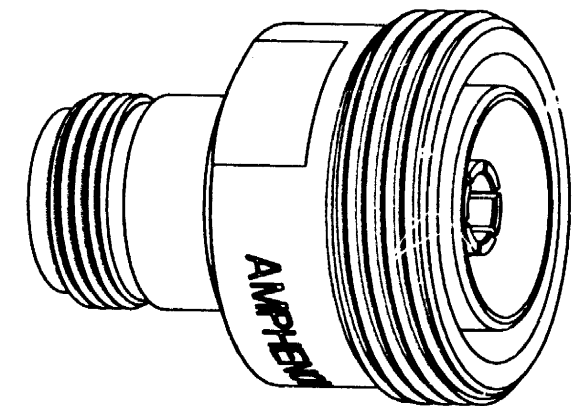
NOTES:

1. MATERIALS OF CONSTRUCTION  
 BODY (ONE PIECE) - BRASS, WHITE BRONZE PLATING  
 CONTACT (ONE PIECE) - BeCu, SILVER PLATED  
 INSULATOR - PTFE
2. ELECTRICAL
  - A. VSWR(RETURN LOSS), MINIMUM  
 DC - 2GHz: 1.05 (32 dB)  
 2 - 4GHz: 1.1 (26 dB)  
 4 - 6GHz: 1.15 (23 dB)
  - B. THIRD ORDER INTERMODULATION DISTORTION, MAXIMUM  
 -125 dBm WITH TWO +43 dBm CARRIERS (-168 dBc)
  - C. THIS ADAPTER IS PHASE MATCHED WITH: APH-716M-NM,  
 APH-716M-NF, APH-716F-NM

APH-716F-NF		REVISIONS			
DRAWING NO.	REV	DESCRIPTION	DATE	ECO	APP.
THIRD ANGLE PROJ.	A	OFFICIAL ENG. RELEASE TO MFG.	6/27/97	42031	OXB



SCALE 2.000



SCALE 2.000

CUSTOMER OUTLINE DRAWING  
FOR REFERENCE ONLY

UNLESS OTHERWISE SPECIFIED, DIMENSIONS ARE IN INCHES AND TOLERANCES ARE:  
 2 PLACE DECIMAL 3 PLACE DECIMAL ANGLES  
 ±.015 (0.381 mm) ±.005 (0.127 mm) ± 1°

NOTICE - These drawings, specifications, or other data (1) are, and remain the property of Amphenol Corp. (2) must be returned upon request; and (3) are confidential and not to be disclosed to any person other than those to whom they are given by Amphenol Corp. The furnishing of these drawings, specifications, or other data by Amphenol Corp., or to any other person to anyone for any purpose is not to be regarded by implication or otherwise in any manner licensing, granting rights or permitting such holder or any other person to manufacture, use, or sell any product, process or design, patented or otherwise, that may in any way be related to or disclosed by said drawings, specifications, or other data.

MATERIAL	DRAWN OWEN BARTHELMES	DATE 38-Apr-97	TITLE 716 (F) TO N (F) BETWEEN SERIES ADAPTER	Amphenol Amphenol Corporation Communication and Network Products Division Danbury, CT U.S.A. 06810	
REFERENCE P/N 716-60 EAR# 566508-0 GEN# ASSY_716F-NF	ENGINEER OWEN BARTHELMES	DATE 08-Apr-97	APPROVED <i>L. Ouel</i>	DATE 6/20/97	SCALE: 3.0:1 SHEET 1 OF 1
CAD FILE I:\716\APH-716F-NF	CODE ID 74868	DWG SIZE B	DRAWING NO. APH-716F-NF	REV A	